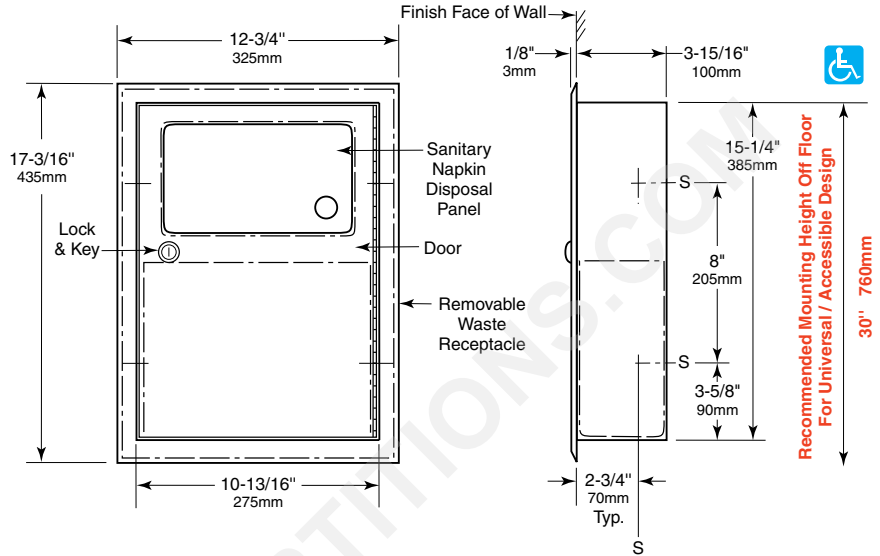




# Technical Data

# RECESSED SANITARY NAPKIN DISPOSAL

# B-353



**Rough Wall Opening**  
**11-1/4" (285mm) wide**  
**15-5/8" (395mm) high**  
**4" (102mm) minimum**  
**recessed depth**

### MATERIALS:

**Cabinet** — 118-8, type-304, heavy-gauge stainless steel. All-welded construction. Exposed surfaces have satin finish.

**Flange** — 18-8, type-304, 22-gauge (0.8mm) stainless steel with satin finish. Drawn and beveled, one-piece, seamless construction.

**Door** — 18-8, type-304, 22-gauge (0.8mm) stainless steel with satin finish. Secured to cabinet with a full-length stainless steel piano-hinge. Equipped with a tumbler lock keyed like other Bobrick washroom accessories.

**Disposal Panel** — 18-8, type-304, 22-gauge (0.8mm) stainless steel with satin finish. Bottom edge hemmed for safety. Secured to door with a spring-loaded, full-length stainless steel piano-hinge. Equipped with an international graphic symbol identifying sanitary napkin disposal.

**Waste Receptacle** — Leak-proof, rigid molded polyethylene. Removable for servicing. Capacity: 1.2-gal. (4.6-L).

### OPERATION:

Unit is equipped with a self-closing panel covering disposal opening. Napkin disposal is emptied by opening door with furnished key and removing waste receptacle.

### INSTALLATION:

Provide framed rough wall opening 11-1/4" wide x 15-5/8" high (285 x 395mm). Minimum recessed depth required from finish face of wall is 4" (102mm). Allow clearance for construction features that may protrude into rough wall opening from opposite wall. Coordinate with mechanical engineer to avoid pipes, vents, and conduits. Mount unit in wall opening with shims between framing and cabinet at all points indicated by an S, then secure unit with four #8 x 1-1/4" (4.2 x 32mm) sheet-metal screws (not furnished).

### SPECIFICATION:

Recessed sanitary napkin disposal shall be type-304 stainless steel with all-welded construction; exposed surfaces shall have satin finish. Door shall be secured to cabinet with a full-length stainless steel piano-hinge and equipped with a tumbler lock keyed like other Bobrick washroom accessories. Unit shall have a self-closing panel covering disposal opening. Panel shall have bottom edge hemmed for safety, be secured to door with a spring-loaded, full-length stainless steel piano-hinge, and equipped with an international graphic symbol identifying sanitary napkin disposal. Unit shall be furnished with a removable, leak-proof molded polyethylene receptacle. Receptacle shall have a capacity of 1.2-gal. (4.6-L).

**Recessed Sanitary Napkin Disposal shall be Model B-35303 of Bobrick Washroom Equipment, Inc., Clifton Park, New York; Jackson, Tennessee; Los Angeles, California; Bobrick Washroom Equipment Company, Scarborough, Ontario; Bobrick Washroom Equipment Pty. Ltd., Australia; and Bobrick Washroom Equipment Limited, United Kingdom.**