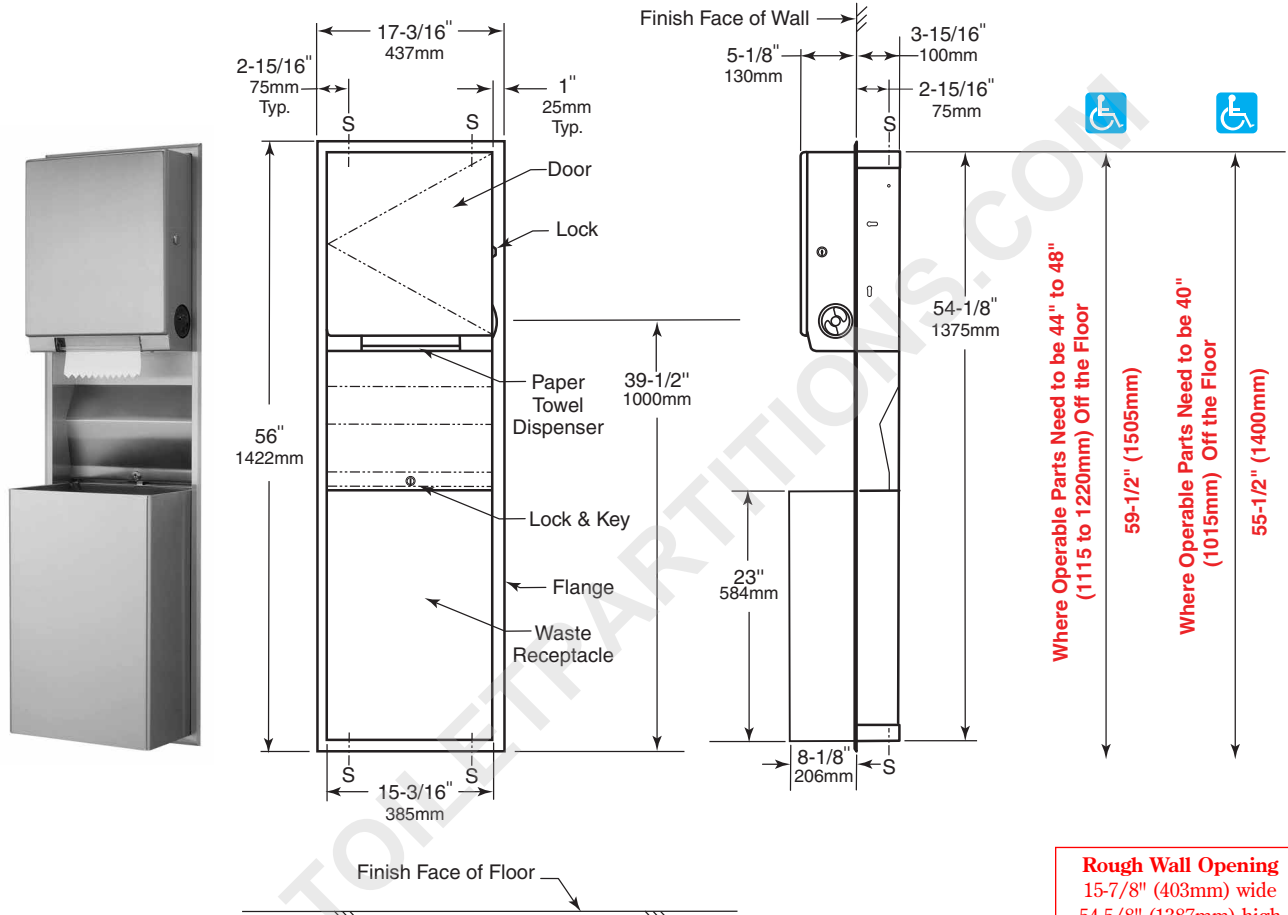




Technical Data

ClassicSeries® RECESSED CONVERTIBLE PAPER TOWEL DISPENSER AND WASTE RECEPTACLE

B-39617



Rough Wall Opening
 15-7/8" (403mm) wide
 54-5/8" (1387mm) high
 4" (100mm) minimum
 recessed depth

MATERIALS:

Cabinet — 18-8, Type 304, heavy-gauge stainless steel. Welded construction. Exposed surfaces have satin-finish. Equipped with a tumbler lock keyed like other Bobrick washroom accessories.

Flange — 18-8, Type 304, 22-gauge (0.8mm) stainless steel with satin-finish. Drawn and beveled, one-piece, seamless construction.

Door — 18-8, Type 304, 20-gauge (0.9mm) stainless steel with satin-finish. Drawn, one-piece, seamless construction. Secured to cabinet with a full-length stainless steel piano-hinge. Equipped with a tumbler lock keyed like other Bobrick washroom accessories.

Touch-Free Paper Towel Dispenser — Durable, high-impact resin materials. Accepts standard-core rolls up to 8" (205mm) wide, 8" (205mm) diameter. 800 ft (244mm) long. Dispenses one 12" (300mm) length of towel per pull. Accommodates up to 3-1/2" (90mm) diameter stub roll with automatic transfer to full roll.

Waste Receptacle — 18-8, Type 304, 22-gauge (0.8mm) stainless steel with satin-finish. Front and sides of bottom and all top edges are hemmed for safe handling. Secured to cabinet with a tumbler lock keyed like other Bobrick washroom accessories. Equipped with interior hooks for optional vinyl liner. Capacity: 18-gal. (68.0-L).

continued . . .

OPERATION:

Touch-Free roll towel dispensing mechanism one 12" (300mm) length of paper towel per pull and operates smoothly and quietly. User only touches the paper. Exterior paper towel feed wheel available for use when filling dispenser and for user to advance paper should it become necessary to feed paper through dispenser. Automatic transfer dispenses stub roll before new roll is dispensed. When stub roll is depleted, advancement of paper towel feed wheel allows the main roll to start dispensing without the need to open the dispenser. Dispenser accommodates up to 8" (205mm) wide, 8" (205mm) diameter, non perforated paper towel rolls and dispenses with less than 5 pounds of force (22.2 N) to comply with accessible design (including ADAAG in U.S.A.).

To empty waste receptacle, unlock with key provided.

NOTE: To accommodate disposable trash liners, order LinerMate®, sold as an optional accessory item. LinerMate eliminates unsightly trash liner overhang and facilitates installation and removal of disposable trash liners in the 12-gallon waste receptacle.

Options:

- Folded Towel Dispenser Module convertible in field: order Bobrick Part No. 3944-52.
- Automatic, Universal Roll Towel Dispenser Module convertible in field: order Bobrick Part No. 3974-150.
- 12-gallon Waste Receptacle: order Bobrick Part No. 367-60.
- Reusable Vinyl Liner: order Bobrick Part No. 368-16.
- LinerMate® for 12-gal waste only: order Bobrick Part No. 3944-134. (Must order 12-gallon waste to use this optional accessory item)

INSTALLATION:

Provide framed rough wall opening 15-7/8" wide x 54-5/8" high (403 x 1387mm). Minimum recessed depth required to finish face of wall is 4" (100mm). Allow clearance for construction features that may protrude into opening from opposite wall. Coordinate with mechanical engineer to avoid pipes, vents, and conduits. If unit projects above top of wainscot, provide aluminum channel or other filler to eliminate gap between flange and finish face of wall. Mount unit in wall opening with shims between framing and cabinet at all points indicated by an S, then secure unit with #8 x 1-1/4" (4.2 x 32mm) sheet-metal screws (not furnished).

SPECIFICATION:

Recessed convertible touch-free roll towel dispenser and waste receptacle shall be Type 304 stainless steel with welded construction; exposed surfaces shall have satin finish. Flange shall be drawn and beveled, one-piece, seamless construction. Door shall be secured to cabinet with a full-length stainless steel piano-hinge and equipped with a tumbler lock keyed like other Bobrick washroom accessories. Towel mechanism accommodates up to 8" (205mm) wide, 8" (205mm) diameter, non-perforated paper towel rolls, 800 ft (244mm) long. Touch-Free pull towel mechanism dispenses one 12" (300mm) length of towel per pull. User only touches the paper. Automatic transfer shall dispense stub roll up to 3-1/2" (90mm) diameter before new roll is dispensed. Equipped with paper towel feed wheel for use in filling the dispenser, or for user to advance paper should it become necessary to feed paper through dispenser. Paper towels are dispensed with pull force of less than 5 pounds (22.2 N) to comply with accessible design (including ADAAG in U.S.A.). Removable waste receptacle shall be secured to cabinet with a tumbler lock, have front and side edges of bottom and all top edges hemmed for safe handling, and shall have a minimum capacity of 18-gal. (68.0-L).

Recessed Convertible Roll-Paper-Towel Dispenser and Waste Receptacle shall be Model B-39617 of Bobrick Washroom Equipment, Inc., Clifton Park, New York; Jackson, Tennessee; Los Angeles, California; Bobrick Washroom Equipment Company, Scarborough, Ontario; Bobrick Washroom Equipment Pty. Ltd., Australia; and Bobrick Washroom Limited, United Kingdom.