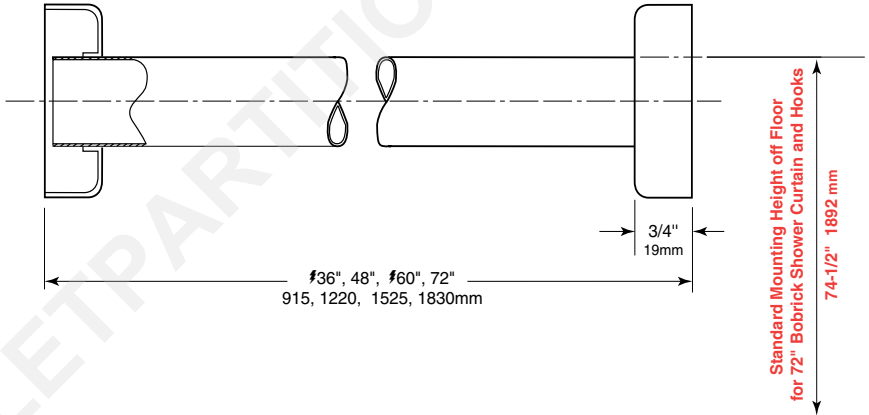
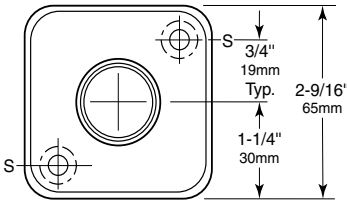




Technical Data

ClassicSeries® HEAVY-DUTY SHOWER CURTAIN ROD

B-6107



MATERIALS:

Curtain Rod — 18-8, Type-304, 20-gauge (1.0mm) stainless steel tubing with satin finish. 1" (25mm) outside diameter. Available in lengths 36" (915mm) up to 72" (1830mm).

Flanges — 18-8, Type-304, 20-gauge (1.0mm) stainless steel with satin finish. Drawn, one-piece, seamless construction.

INSTALLATION:

Slide flanges onto curtain rod. Position flanges against wall and secure with sheet-metal screws, furnished by manufacturer, at points indicated by an S. For plaster or dry wall construction, provide concealed backing to comply with local building codes and secure flanges with screws furnished. For other wall surfaces, provide fiber plugs or expansion shields for use with screws furnished or provide 1/8" (3mm) toggle bolts or expansion bolts.

SPECIFICATION:

Shower curtain rod shall be Type-304, 20-gauge (1.0mm) stainless steel tubing with satin finish and 1" (25mm) outside diameter. Flanges shall be Type-304, 20-gauge (1.0mm) stainless steel with satin finish and drawn, one-piece, seamless onstruction.

Shower Curtain Rod shall be Model B-6107 x _____ (insert length) of Bobrick Washroom Equipment, Inc., Clifton Park, New York; Jackson, Tennessee; Los Angeles, California; Bobrick Washroom Equipment Company, Scarborough, Ontario; Bobrick Washroom Equipment Pty. Ltd., Australia; and Bobrick Washroom Equipment, Limited, United Kingdom.