



- Concealed Mounting
- Heavy-Duty **Bradex**

Product Materials

ROBE HOOK: forged brass with bright chrome finish.
CONCEALED MOUNTING PLATE: 12 gauge plated steel in bright chrome finish.

Installation

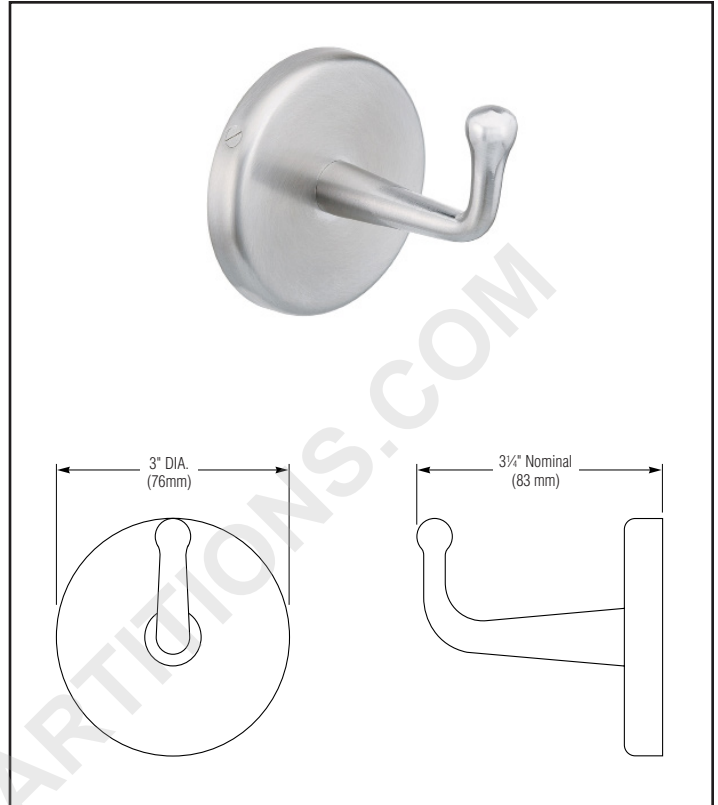
Verify all rough-in dimensions prior to installation. Secure separate mounting plate to wall with mounting screws (included) at holes provided. Attach robe hook and secure with set screws.

Optional Features

Feature	Suffix
<input type="checkbox"/> Satin chrome finish Bradex	-81

Guide Specification

Heavy-duty robe hook shall be of chrome plated forged brass with concealed mounting plate.



WWW.TOILETPARTITIONS.COM

Orders composed of products indicated as **Bradex** will be available to ship in three days after receipt of order at the factory. There is no pricing penalty for this service from Bradley.