



- Swiveling Mounting System
- Accommodates 60" or 72" Shower Stall
- Increases Space in Shower Stall

Model 9530-600000 (60") **Bradex**<sup>®</sup>  
 Model 9530-720000 (72")

*NOTE: Curtain rods only available in 60" or 72" lengths.*

### Product Materials

**SWIVEL BRACKETS:** chrome-plated zinc die cast construction with exposed surfaces in architectural satin finish. Maximum 55 degree swivel rotation.

**TUBING:** 1" diameter stainless steel, seamless construction with exposed surfaces in architectural satin finish.

### Installation

Verify all rough-in dimensions prior to installation. Screws and anchors provided with swivel brackets. For additional installation instructions, visit [bradleycorp.com](http://bradleycorp.com).

- When retrofitting or replacing a straight shower rod with Model 9530 curved shower rod, mount the new flange at the same location as the old flange. This will maximize the additional space a curved shower rod is designed to provide.

If properly mounted, the shower rod will withstand a maximum load of 50 lbs. without any sign of a permanent deflection.

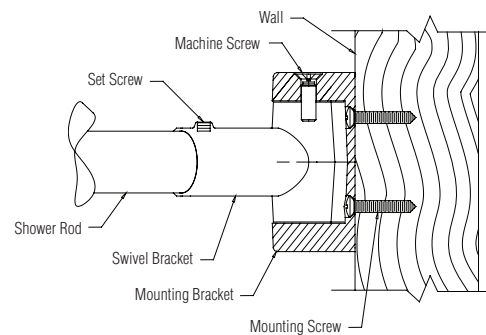
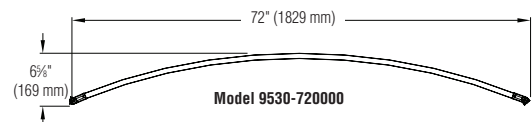
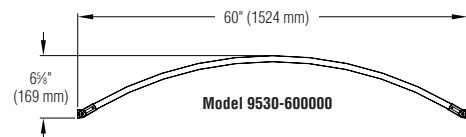
### Optional Features

Feature	Suffix
<input type="checkbox"/> Bright Polished Finish	-78

- Swivel brackets exposed surfaces are in satin finish.

### Guide Specification

Shower curtain rod shall be fabricated of 20 gauge stainless steel in satin finish.



Orders composed of products indicated as **Bradex**<sup>®</sup> will be available to ship in three days after receipt of order at the factory. There is no pricing penalty for this service from Bradley.