



Surface-Mounted

### Product Materials

**UNIT:** 22 gauge stainless steel with exposed surfaces in architectural satin finish.

### Capacity

One box of 100 facial tissues.

### Operation

Hinged faceplate with integral catch permits easy and quick removal of faceplate for servicing.

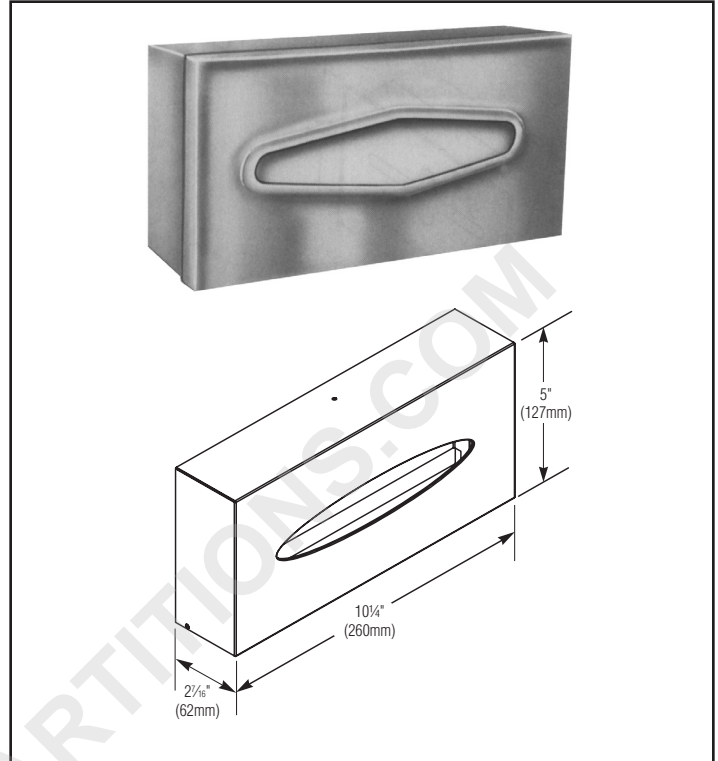
### Installation

Verify all rough-in dimensions prior to installation. Secure to wall with mounting screws (included) at holes provided.

### Guide Specification

Surface-mounted facial tissue dispenser fabricated of 22 gauge stainless steel in satin finish. Holds standard 100-tissue pack.

**Overall dimensions: 10¼"W x 5"H x 2⅞"D.**



WWW.TOILETPARTITIONS.COM