



- Recessed
- Large Capacity
- Bradex**[®]

Product Materials

FACEPLATE: 22 gauge stainless steel with exposed surfaces in architectural satin finish.

CONTAINER: heavy gauge galvanized steel.

Capacity

One box of 300 facial tissues.

Operation

Friction catches permit easy and quick removal of faceplate for servicing.

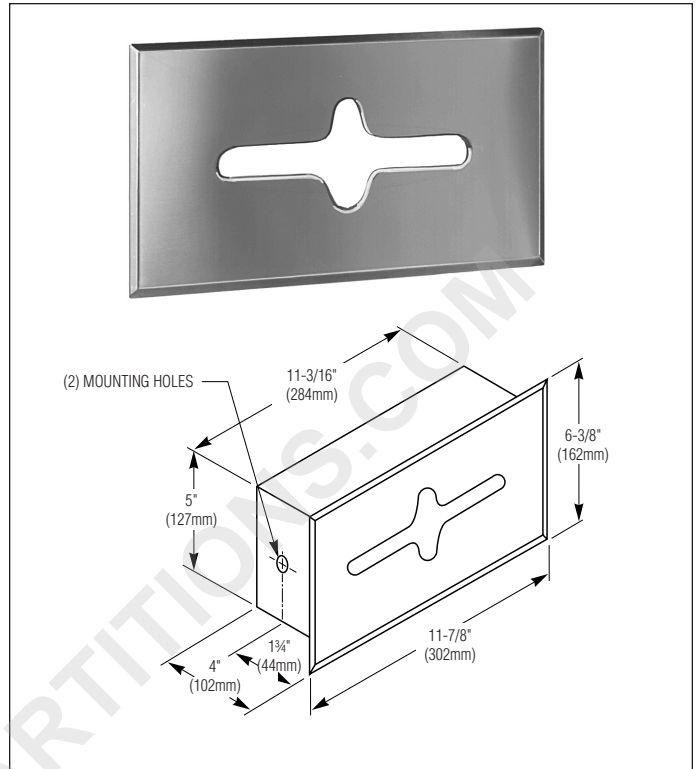
Installation

Verify all rough-in dimensions prior to installation. Requires rough wall opening 11-5/16"W x 5 1/8"H x 4"D. Secure to framing with mounting screws (included) at holes provided. Shim at screw points as required.

Guide Specification

Recessed facial tissue dispenser shall be fabricated of 22 gauge stainless steel with exposed surfaces in satin finish. In-wall cabinet of cold-rolled, corrosion-resistant galvanized steel holds extra large 300-tissue pack.

Overall dimensions: 11-7/8"W x 6-3/8"H x 4"D.



WWW.TOILETPARTITIONS.COM

Orders composed of products indicated as **Bradex**[®] will be available to ship in three days after receipt of order at the factory. There is no pricing penalty for this service from Bradley.