



9943, 9944, 9945, 9946

Hat and Coat Rack

- ☑ Model 9943 – 3 Hooks **Bradex**®
- ☑ Model 9944 – 4 Hooks
- ☑ Model 9945 – 5 Hooks
- ☑ Model 9946 – 6 Hooks

Product Materials

BACKPLATE: 22 gauge stainless steel with exposed surfaces in architectural satin finish. Backplate is open through the center and does not have end caps.

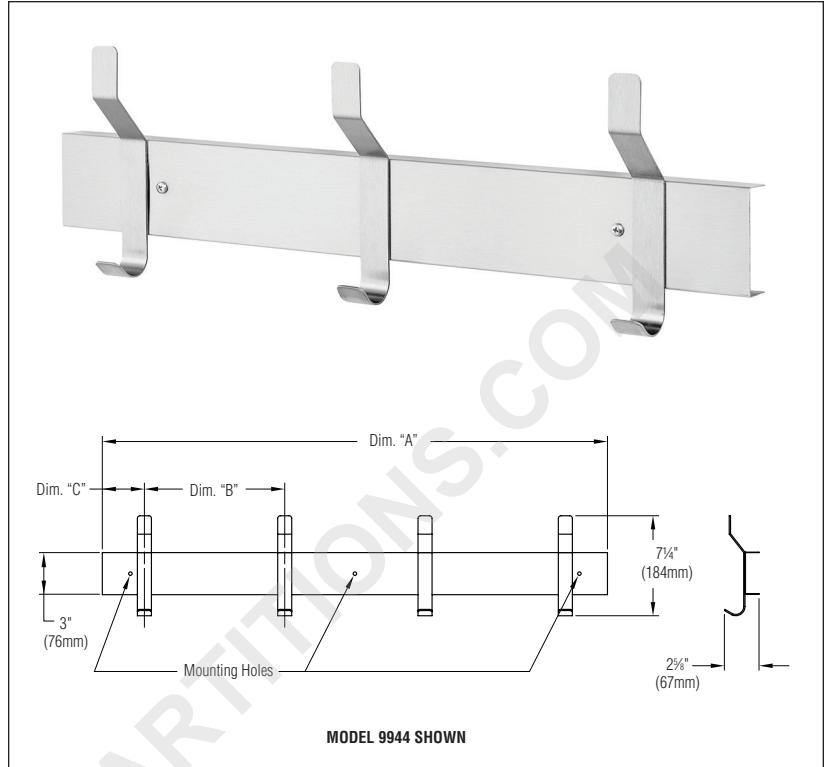
HOOKS: 14 gauge stainless steel

Installation

Verify all rough-in dimensions prior to installation. Secure to wall with mounting screws (included) at holes provided.

Guide Specification

Surface-mounted hat and coat rack shall be fabricated of 22 gauge stainless steel in satin finish. Hooks shall be of 14 gauge stainless steel.



Dimensions

Model No.	Dim. "A"	Dim. "B"	Dim. "C"	Hooks
9943	24" (610 mm)	9" (229 mm)	3" (76 mm)	3
9944	36" (914 mm)	10" (254 mm)	3" (76 mm)	4
9945	48" (1219 mm)	11" (279 mm)	2" (51 mm)	5
9946	60" (1524 mm)	10 3/4" (273 mm)	3 1/4" (83 mm)	6

Orders composed of products indicated as **Bradex**® will be available to ship in three days after receipt of order at the factory. There is no pricing penalty for this service from Bradley.