

Security toilet tissue roll holder:

Model SA10

Product Materials

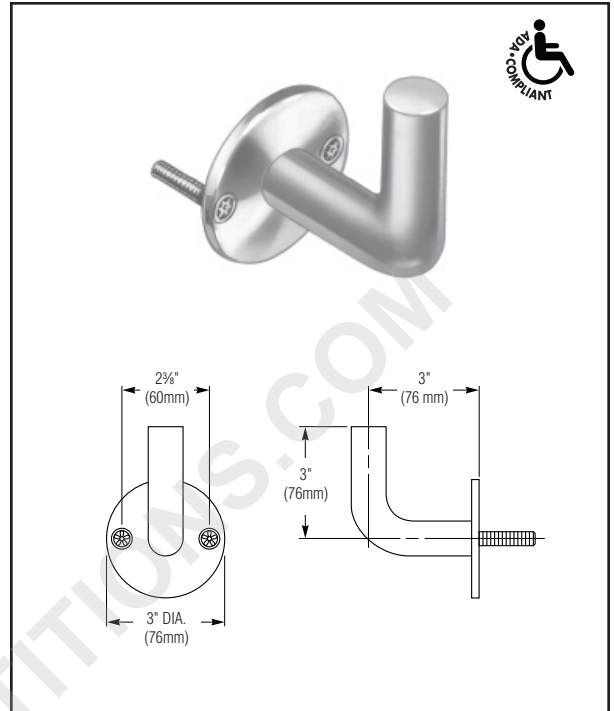
TISSUE HOLDER: 18 gauge seamless 1" diameter stainless steel tubing in architectural satin finish. Stainless steel end cap is welded and ground smooth to a matching architectural satin finish.

WALL ANCHOR PLATE: 11 gauge flange is welded to the tubing. Unit is supplied with ¼" - 20 x 1½" T27 torx head machine screws for installation to wall anchors (not included).

WARNING: Unit can be used as a suicide device and is not recommended for penal institution or mental health applications.

ADA Compliant

- Consult local and national accessibility codes for proper installation guidelines.
- Conformity and compliance to local and national codes is the responsibility of the installer.



Washroom Accessories
Document No. 9195