



Security recessed toilet tissue roll holder:

Model SA11

Product Materials

TISSUE HOLDER: 16 gauge stainless steel with exposed surfaces in architectural satin finish. Unit is drawn one piece seamless construction. Rim of holder is beveled to insure tight fit to wall surface. Back of holder has welded anchor nuts to receive threaded studs (provided).

BACK PLATE: 11 gauge die-formed galvanized steel, reversible for shallow or deep wall installation.

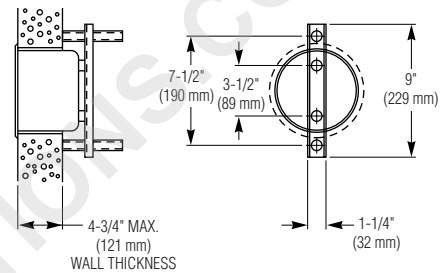
WALL THICKNESS (must specify)
<input type="checkbox"/> Specify Thickness: _____

ADA Compliant

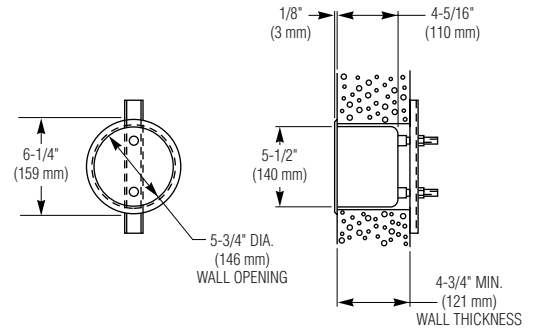
- Consult local and national accessibility codes for proper installation guidelines.
- Conformity and compliance to local and national codes is the responsibility of the installer.



ANCHORING METHOD FOR WALLS UP TO 4-3/4" THICK



ANCHORING METHOD FOR WALLS OVER 4-3/4" THICK



WWW.TOILETPARTS.COM