



### Security towel hook:

- Model SA35 – Chase Mounted

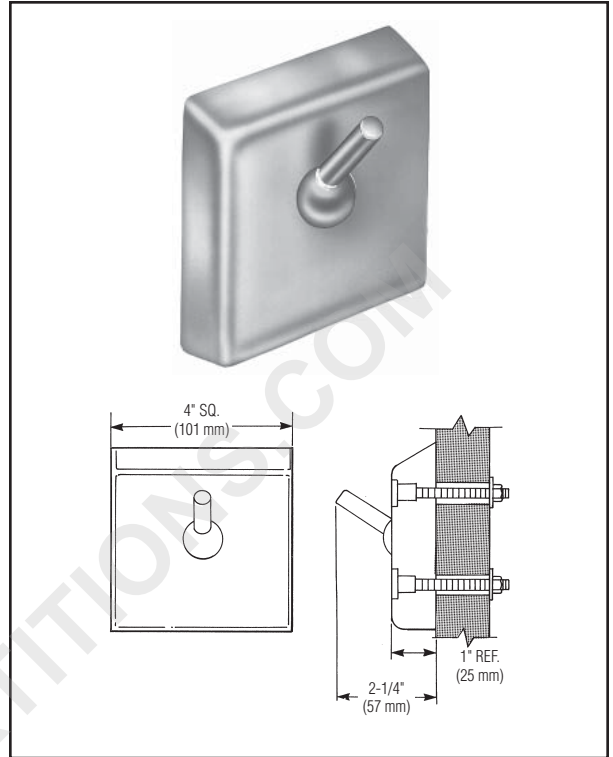
### Product Materials

**BACKPLATE:** 14 gauge stainless steel with exposed surfaces in architectural satin finish. All seams are welded and ground smooth.

**SAFETY HOOK:** stainless steel with pivoting ball joint that releases when more than 20 lbs. of force is applied.

### Installation

Verify all rough-in dimensions prior to installation. Backplate has welded anchor nuts to receive 1/4"-20 studs, nuts and washers. (Included with unit.) (4) 5/8" dia. holes are required in wall at locations shown.



Washroom Accessories  
Document No. 9245

Page 1 of 1

This information is subject to change without notice.

Always consult local and national codes for proper installation guidelines. Conformity and compliance to local and national codes is the responsibility of the installer.

2-4-2010

© 2010 Bradley Corporation  
P.O. Box 309, Menomonee Falls, WI 53052-0309  
Phone: 800.BRADLEY (800.272.3539) Fax: 262.253.4161  
bradleycorp.com