



Security towel hook:

□ Model SA36 – Front Mounted **Bradex**[®]

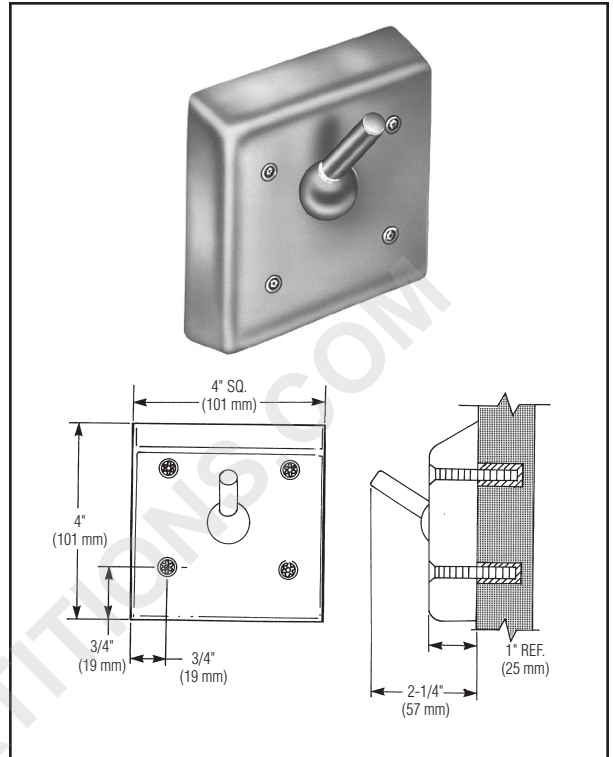
Product Materials

BACKPLATE: 14 gauge stainless steel with exposed surfaces in architectural satin finish. All seams are welded and ground smooth.

SAFETY HOOK: stainless steel with pivoting ball joint that releases when more than 20 lbs. of force is applied.

Installation

Verify all rough-in dimensions prior to installation. Unit supplied with ¼" - 20 x 1½" T27 torx head machine screws for installation to wall anchors (not included).



Orders composed of products indicated as **Bradex**[®] will be available to ship in three days after receipt of order at the factory. There is no pricing penalty for this service from Bradley.

Page 1 of 1
10/22/2012
This information is subject to change without notice.
Bradley_Hook_SA36

© 2015 Bradley
P.O. Box 309, Menomonee Falls, WI 53052-0309
800 BRADLEY (800 272 3539) +1 262 251 6000
bradleycorp.com