



Security bookshelf with clothes hooks

☐ Model SA51 – Chase Mounted

Product Materials

BACKPLATE & SHELF: 14 gauge stainless steel with exposed surfaces in architectural satin finish. All seams are welded and ground smooth. Shelf interior is glass blasted to a uniform finish.

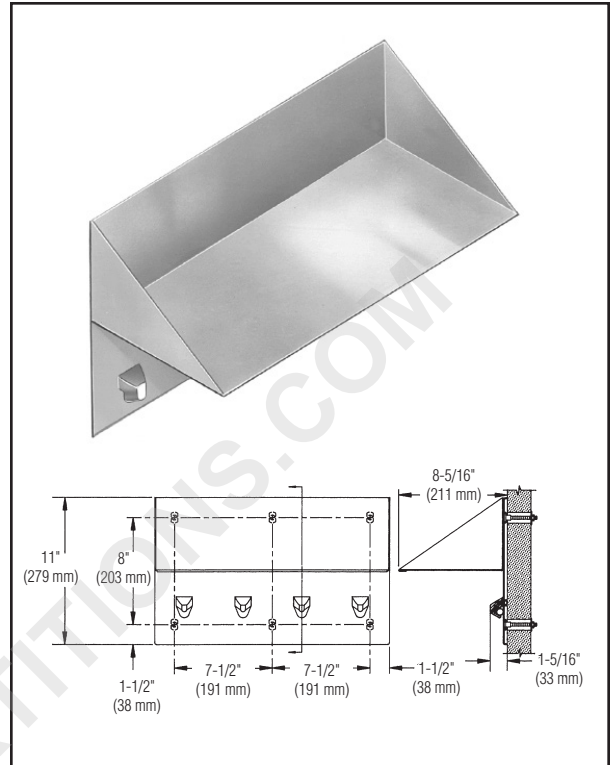
SAFETY HOOK: bright, chrome plated brass housing with stainless steel ball and spring. Friction mechanism allows holder to clasp towels, clothing, etc., but releases when excessive force is applied.

Installation

Verify all rough-in dimensions prior to installation. Backplate has welded anchor nuts to receive 1/4" - 20 studs, nuts and washers. (Included with unit.) Six 3/8" dia. holes are required at locations shown.

Standard Selections

WALL THICKNESS (must specify)
☐ Specify Thickness: _____



WWW.TOILETPARTITIONINGS.COM