



Security bookshelf with clothes hooks:

Model SA52 – Front Mounted

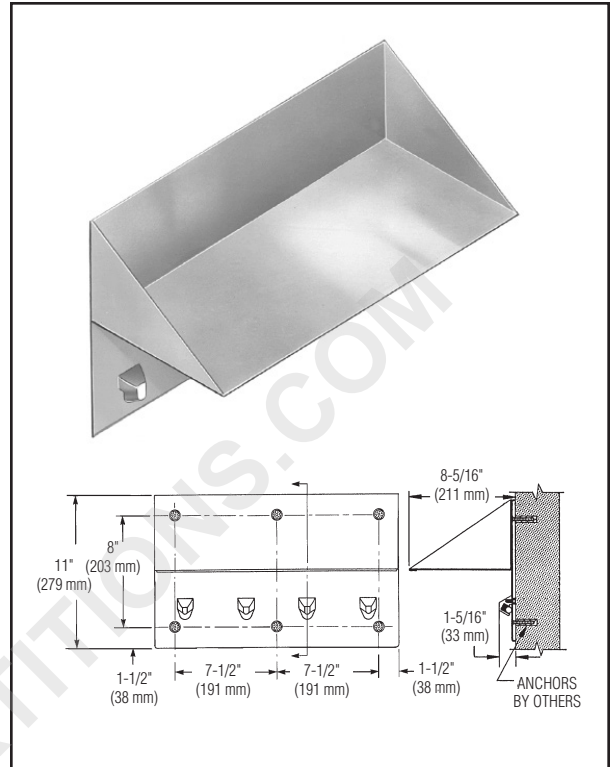
Product Materials

BACKPLATE & SHELF: 14 gauge stainless steel with exposed surfaces in architectural satin finish. All seams are welded and ground smooth. Shelf interior is glass blasted to a uniform finish.

SAFETY HOOK: bright, chrome plated brass housing with stainless steel ball and spring. Friction mechanism allows holder to clasp towels, clothing, etc., but releases when excessive force is applied.

Installation

Verify all rough-in dimensions prior to installation. Unit supplied with ¼" - 20 x 1½" T27 torx head machine screws for installation to wall anchors (not included).



WWW.TOILETPARTITIONS.COM