



Security bookshelf:

Model SA55 – Chase Mounted

Product Materials

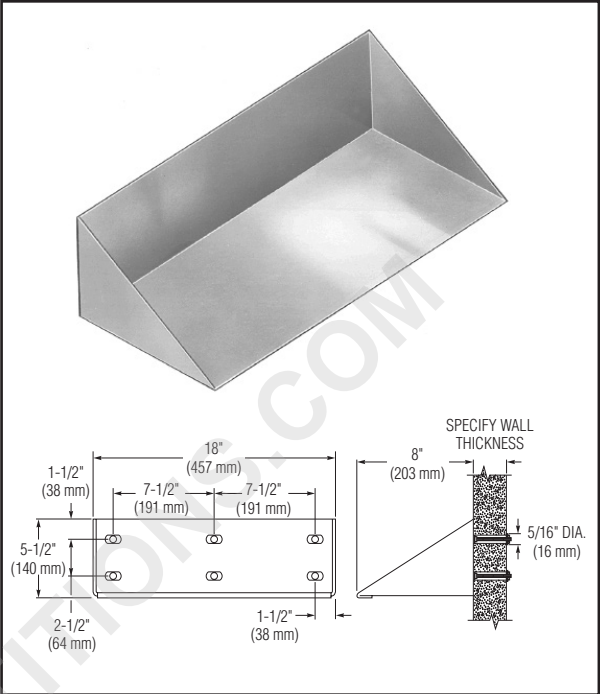
**BOOKSHELF:** 14 gauge stainless steel with outside surfaces in architectural satin finish. Shelf interior is glass bead blast finish. All seams are welded and ground smooth. Overall dimensions: 18"W x 5½"H x 8"D.

Installation

Verify all rough-in dimensions prior to installation. Backplates have welded anchor nuts to receive threaded studs (provided).

Standard Selections

<b>WALL THICKNESS (must specify)</b>
<input type="checkbox"/> Specify Thickness: _____



WWW.TOILETPARTS.COM