

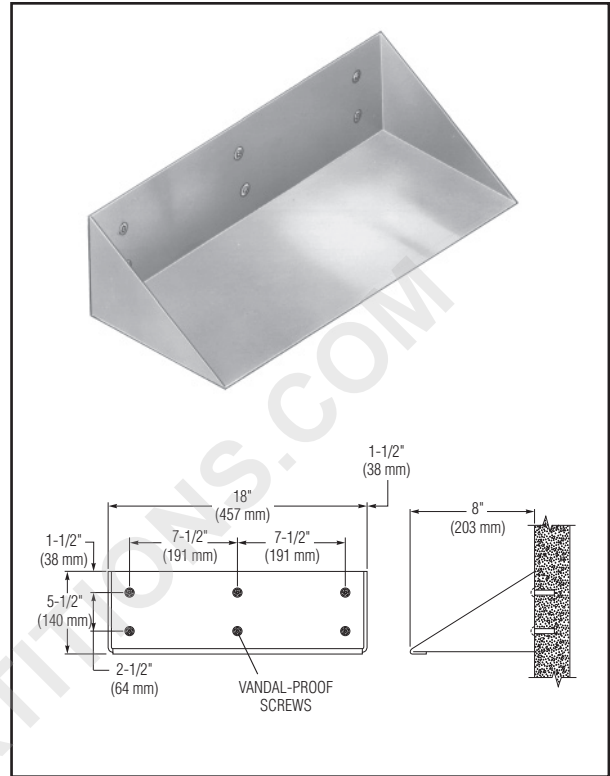
**Security bookshelf:**

**Model SA56 – Front Mounted**

**Product Materials**

**BOOKSHELF:** 14 gauge stainless steel with outside surfaces in architectural satin finish. Shelf interior is glass bead blast finish. All seams are welded and ground smooth. Unit supplied with ¼" - 20 x 1" T27 torx head machine screws for installation to wall anchors (not included).

Overall dimensions: 18" W x 5½" H x 8" D.



WWW.TOILETPARTS.COM

**Washroom Accessories**  
**Document No. 9300**

This information is subject to change without notice.  
Always consult local and national codes for proper installation guidelines. Conformity and compliance to local and national codes is the responsibility of the installer.

8-11-2011

© 2011 Bradley Corporation  
P.O. Box 309, Menomonee Falls, WI 53052-0309  
Phone: 800.BRADLEY (800.272.3539) Fax: 262.253.4161  
bradleycorp.com