



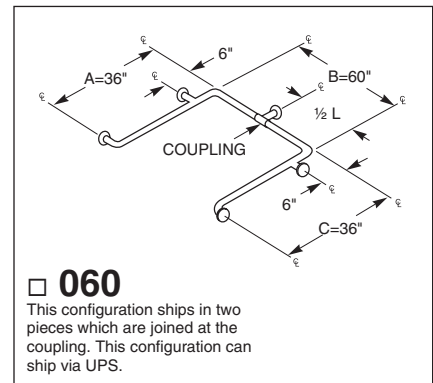
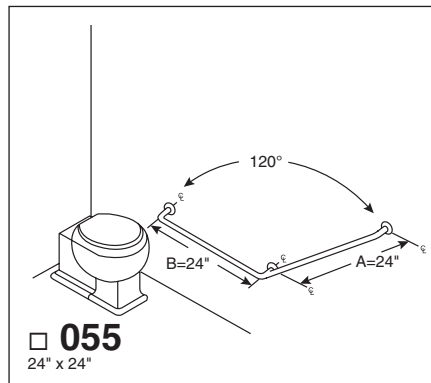
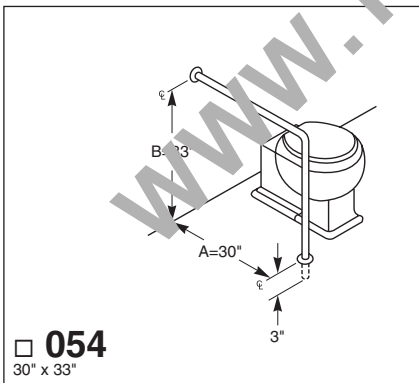
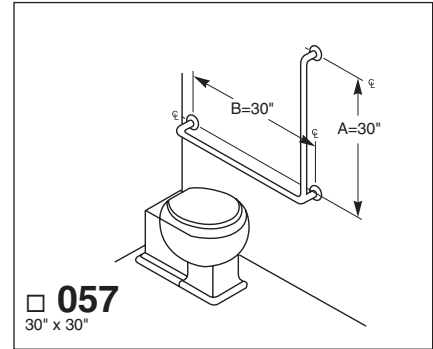
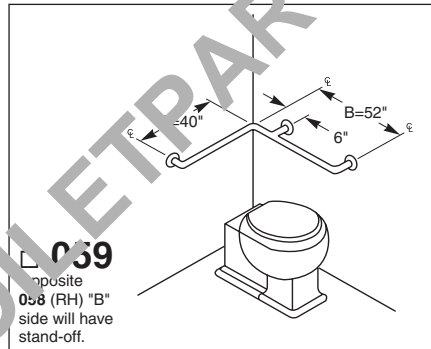
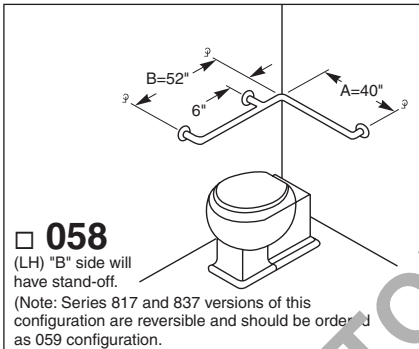
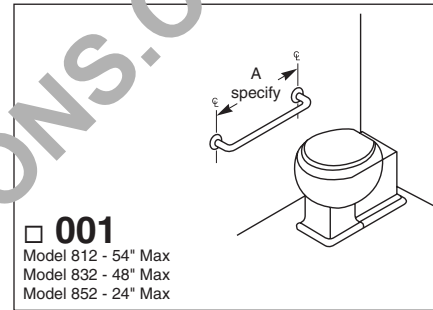


Configuration Information - Bariatric Models

|                      |                 | OD           | 1-1/2" |
|----------------------|-----------------|--------------|--------|
|                      |                 | Rating (LBS) | 1000   |
| Configuration Number | Grab Bar Length | 812 Series   |        |
| 001-12               | 12"             | X            |        |
| 001-18               | 18"             | X            |        |
| 001-24               | 24"             | X            |        |
| 001-36               | 36"             | X            |        |
| 001-48               | 48"             | X            |        |
| 001-54               | 54"             | X            |        |
| 059/058              | up to 42" x 54" | X            |        |
| 057                  | 30" x 30"       | X            |        |
| 054                  | 33" x 30"       | X            |        |
| 055                  | 24" x 24"       | X            |        |
| 060                  | 36" x 60" x 36" | X            |        |

**WARNING** Only models/configurations listed on this page have been rated for use up to 1000 pounds. Please see Grab Bar Configurations on [bradleycorp.com](http://bradleycorp.com) for all other available configurations.

■ **Bradex®** Item - Standard Finish  
 ■ **Bradex®** Item - Standard Finish or Safety Grip Finish (-2)



Orders composed of products indicated as **Bradex®** will be available to ship in three days after receipt of order at the factory. There is no pricing penalty for this service from Bradley.