



Model 5053

- Controlled Delivery
- Single Roll

Product Materials

UNIT: 1/8" thick epoxy-coated aluminum. One-piece construction with hinged arm and snap lock concealed by tissue roll. No removable parts.

Capacity

One standard core toilet tissue roll through 4½" in diameter.

Operation

Remove tissue roll core to access snap lock for servicing.

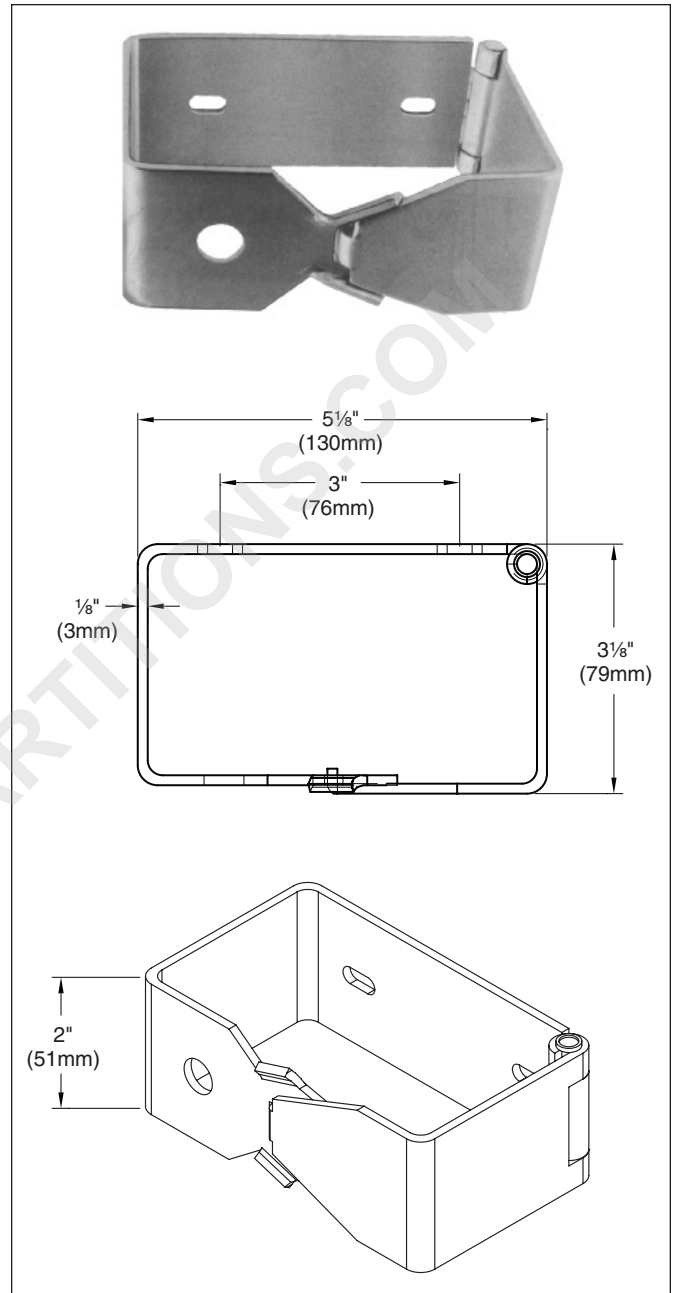
Installation

Verify all rough-in dimensions prior to installation. Secure to wall with mounting screws (not included) at holes provided.

Guide Specification

Surface-mounted toilet tissue dispenser shall be 1/8" thick anodized aluminum and hold one standard core toilet tissue roll.

Overall dimensions: 5½"W x 2"H x 3⅛"D.



WWW.TOILETPARTITIONS.COM