



Model 5071 **Bradex**[®]

- Controlled Delivery — Rocking Action
- Single Roll (For Dual Roll see Model 5241)

Product Materials

BRACKET: diecast aluminum.

SPINDLE: gray polystyrene. Stainless steel spring.

Capacity

One standard core toilet tissue roll through 5½" in diameter.

Operation

Remove tissue roll core to access special vandal-resistant locking mechanism for servicing. Stops on spindle control paper delivery. Spindle revolves only ½ turn for each dispensing operation and returns to original position.

Installation

Verify all rough-in dimensions prior to installation. Secure to wall with mounting screws (included) at holes provided.

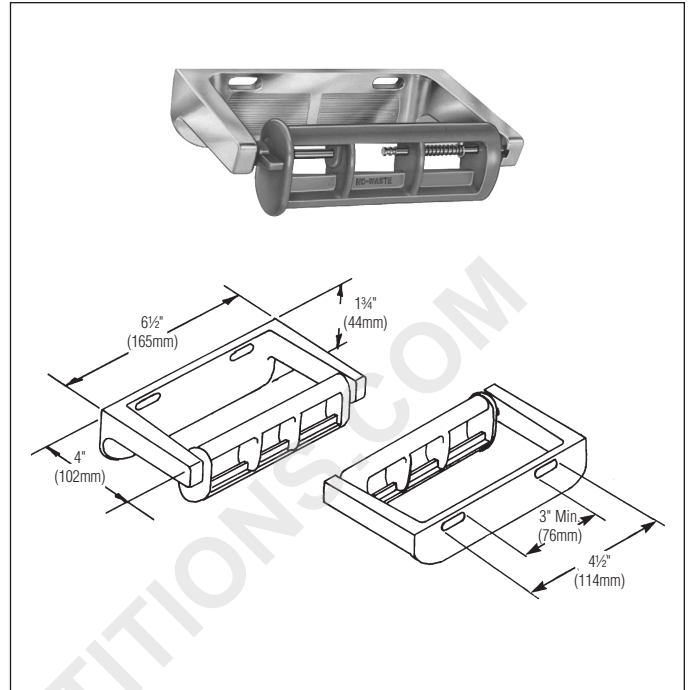
Optional Features

Feature	Suffix
<input type="checkbox"/> Non-controlled delivery	-50

Guide Specification

Surface-mounted toilet tissue dispenser shall be diecast aluminum with satin finish and hold one standard core toilet tissue roll. Stops control paper delivery.

Overall dimensions: 6½"W x 1¾"H x 4"D.



WWW.TOILETPARTITIONS.COM