



Model 5224 — **Bradex**[®]

- Controlled Delivery
- Dual Roll (For Single Roll see Model 5054)

Product Materials

UNIT: heavy-duty chrome-plated steel.

Capacity

Two standard core toilet tissue rolls through 6" in diameter.

Operation

Remove tissue roll core to access special locking mechanism for servicing. Tension spring controls paper delivery.

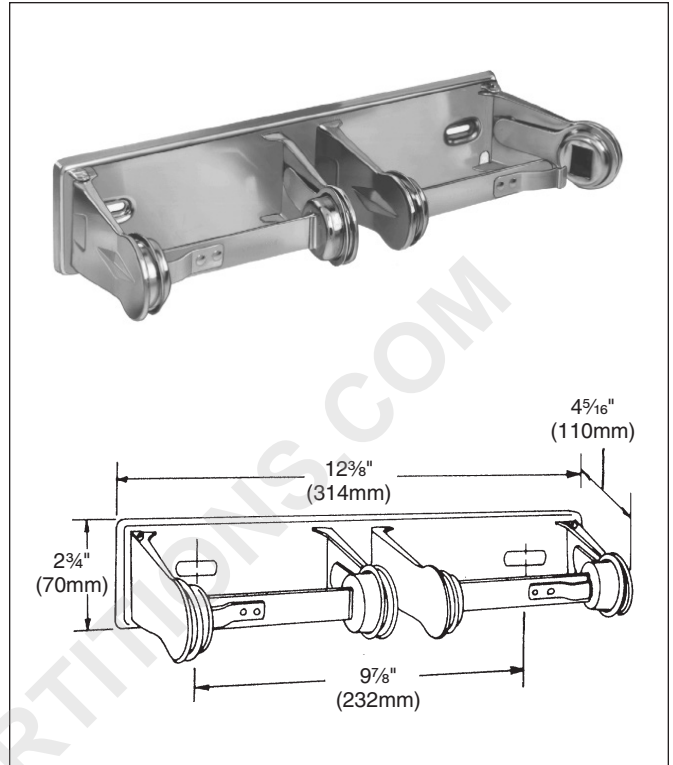
Installation

Verify all rough-in dimensions prior to installation. Secure to wall with mounting screws (included) at holes provided.

Guide Specification

Surface-mounted toilet tissue dispenser shall be heavy-duty chrome-plated steel and hold two standard core toilet tissue rolls. Tension spring controls paper delivery.

Overall dimensions: 12³/₈"W x 2³/₄"H x 4⁵/₁₆"D.



WWW.TOILETPARTS.COM

Orders composed of products indicated as **Bradex**[®] will be available to ship in three days after receipt of order at the factory. There is no pricing penalty for this service from Bradley.