



□ **Model 591 — Partition-Mounted *Bradex*®**

Serves Two Compartments

- Seat Cover Dispenser/Dual Roll Tissue Dispenser/Waste
- Receptacle

**Product Materials**

**CABINET:** 22 gauge stainless steel with exposed surfaces in architectural satin finish. Welded construction with burr-free edges.

**FLANGE:** 22 gauge stainless steel with exposed surfaces in architectural satin finish. One-piece seamless construction, 1" wide with 1/4" return.

**DOOR:** 18 gauge stainless steel with full-length piano hinge and tumbler lock keyed like other Bradley units.

**PUSH FLAP DOOR:** 22 gauge stainless steel with exposed surfaces in architectural satin finish. Self-closing, with heavy-duty stainless steel piano hinge.

**WASTE RECEPTACLE:** leakproof molded plastic. 0.88 gal. capacity.

**SPINDLE:** polyethylene, non-removable by user.

**Capacity**

Toilet Seat Cover Dispensers — 1,000 standard single-fold or half-fold toilet seat covers; Toilet Tissue Dispensers — four standard core toilet tissue rolls through 5 1/4" in diameter. Box of 500 waxed paper napkin disposal liners are available by ordering part number P11-022.

**Operation**

Hinged access door permits servicing of components from one side.

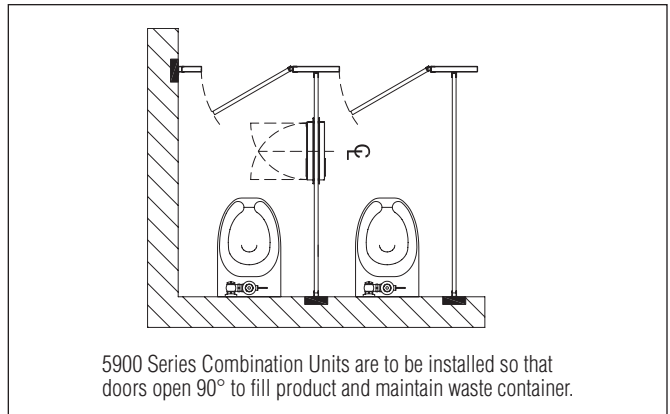
**Installation**

Verify all rough-in dimensions prior to installation. Requires partition opening 15 3/8"W x 28 7/8"H. (Location of hole and dimensions should be noted in partition specifications.) Flanges adjustable for partitions from 3/8" to 2 3/4" thick. Remove one flange and install cabinet in partition opening flush against partition. Position flanges on both sides of cabinet and secure with mounting screws (included) at holes provided.

**Guide Specification**

Partition mounting combination unit shall include toilet seat cover dispenser, toilet tissue dispenser, and napkin disposal, and be fabricated of heavy gauge stainless steel with seamless exposed surfaces in satin finish. Door and back panel shall be 18 gauge. Door shall have piano hinge and tumbler locks.

**Overall dimensions: 17 1/8"W x 30 3/8"H x 4 1/2"D.**



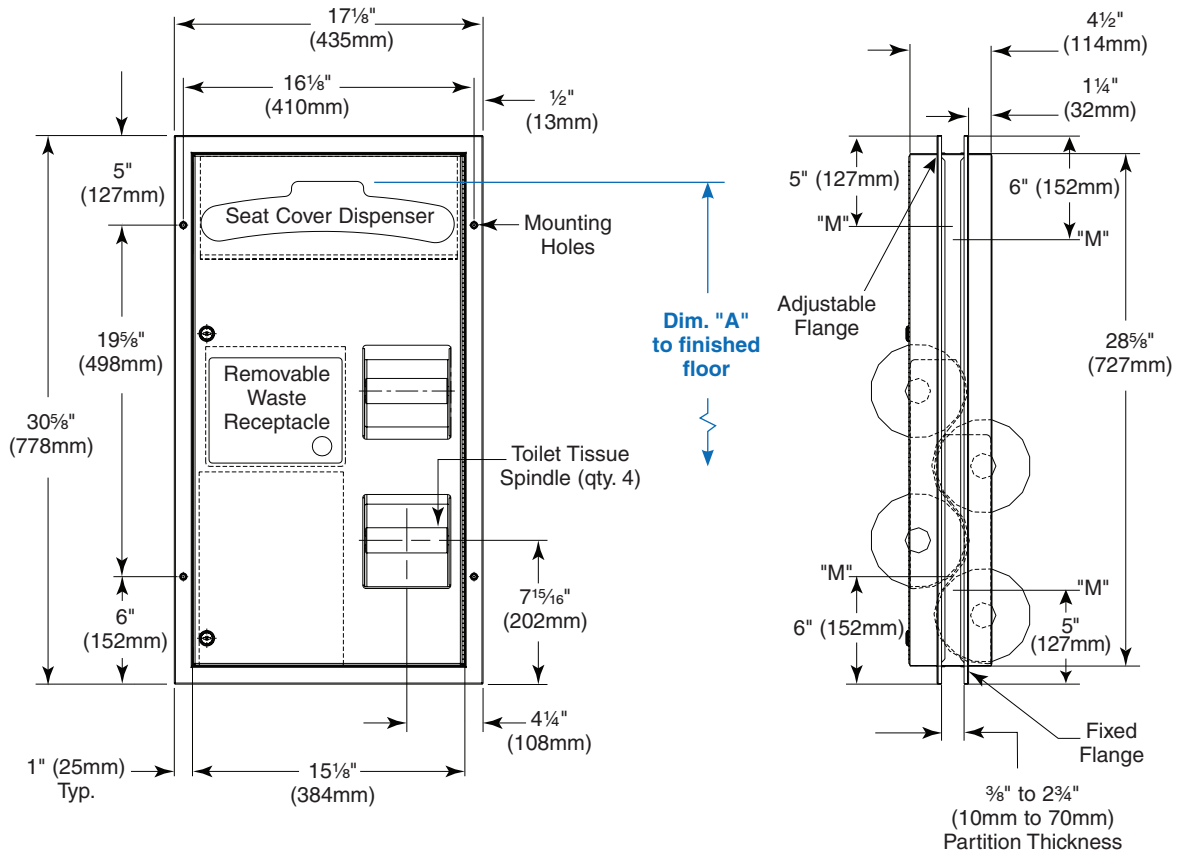
**ADA Compliant**

- Consult local and national accessibility codes for proper installation guidelines.
- Conformity and compliance to local and national codes is the responsibility of the installer.

Orders composed of products indicated as **Bradex**® will be available to ship in three days after receipt of order at the factory. There is no pricing penalty for this service from Bradley.



**Dimensions**



"M" indicates Mounting hole location

<b>Dim. "A" Key Surface:</b>	For Dim. "A"	Top of Rough Wall Opening	Bottom of Rough Wall Opening	For Bottom Toilet Paper Opening Lower Lip @ Dim. "A"
Top of seat cover opening to finished floor	48" (1219mm)	49 1/2" (1257mm)	20 5/8" (524mm)	19 15/16" (506mm)
	45" (1143mm)	46 1/2" (1181mm)	17 7/8" (448mm)	16 15/16" (430mm)
	42" (1067mm)	43 1/2" (1105mm)	14 5/8" (371mm)	13 15/16" (354mm)
	40" (1016mm)	41 1/2" (1054mm)	12 5/8" (321mm)	11 15/16" (303mm)
<b>Rough wall opening:</b>				
Partition-Mount: 15 3/8" (391mm) Wide x 28 7/8" (734mm) High x Partition Thickness				

Orders composed of products indicated as **Bradex**® will be available to ship in three days after receipt of order at the factory. There is no pricing penalty for this service from Bradley.