



- Liquid Soap Dispenser
- Surface-Mounted
- ADA Compliant

### Product Materials

**TANK:** 20 gauge stainless steel with exposed surfaces in architectural satin finish. Welded construction.

**COVER:** 18 gauge stainless steel with exposed surfaces in architectural satin finish. Heavy-duty hinge.

**SOAP VALVE:** chrome-plated brass housing with ABS mechanism. Requires less than 5 lbs. force to operate.

**WALL PLATE:** heavy duty steel, mechanically locked to dispenser.

### Capacity

44-oz. liquid soap.

### Operation

Push-in valve dispenses measured amount of liquid soap with each stroke. Requires less than 5 lbs. force to dispense soap.

- Bradley liquid soap valves operate best with any vegetable oil or coconut oil hand soap having a 10–15% soap concentration.

### Installation

Verify all rough-in dimensions prior to installation. Secure mounting bracket to wall and attach dispenser.

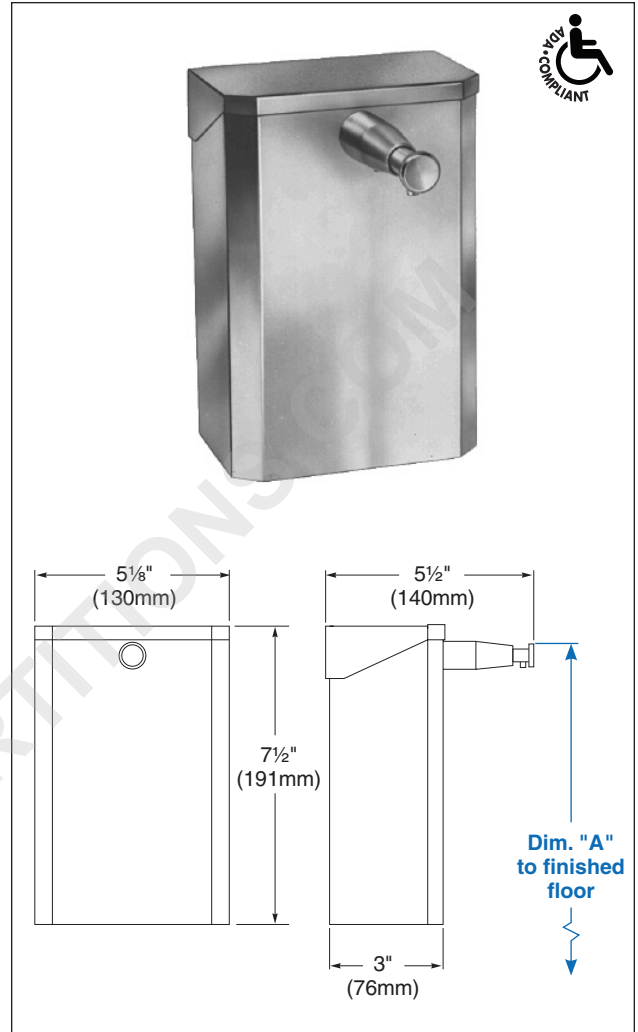
### Guide Specification

Surface-mounted liquid soap dispenser shall be fabricated of satin finish stainless steel with 22 gauge tank and 18 gauge cover. All metal components in contact with liquid are fabricated of stainless steel. Capacity 44-oz. liquid soap. Requires less than 5 lbs. of force to dispense soap.

**Overall dimensions: 5½"W x 7½"H x 3"D.**

### ADA Compliant

- Consult local and national accessibility codes for proper installation guidelines.
- Conformity and compliance to local and national codes is the responsibility of the installer.



Dim. "A" Key Surface:	For Dim. "A"	Top of Unit	Bottom of Unit
Push button top to finished floor	40" (1016mm)	43¼" (1099mm)	38¾" (984mm)
	38" (965mm)	41¼" (1048mm)	36¾" (933mm)
	36" (914mm)	39¼" (997mm)	34¾" (883mm)
	34" (864mm)	37¼" (946mm)	32¾" (832mm)
<b>Rough wall opening:</b>			
Surface-Mount:	No rough opening, see overall dimensions		