



- Tank-Type Vertical Valve
- Surface-Mounted
- ADA Compliant

Product Materials

BODY: 20 gauge stainless steel with exposed surfaces in architectural satin finish.

BACK: 20 gauge stainless steel; welded to the body.

WALL PLATE: stainless steel.

SOAP VALVE: chrome-plated brass housing with ABS plastic and stainless steel mechanism. Requires less than 5 lbs. force to dispense soap.

Capacity

40-oz. liquid soap.

Operation

Push-up valve dispenses measured amount of vegetable or coconut oil liquid soaps, synthetic detergents, and antiseptic solutions. Sight gauge indicates refill time. Locked filler top opens with special key provided. Requires less than 5 lbs. of force to dispense soap.

- Bradley liquid soap valves operate best with any vegetable oil or coconut oil hand soap having a 10–15% soap concentration.

Installation

Verify all rough-in dimensions prior to installation. Secure separate mounting bracket to wall. Slide dispenser into place and secure locking screw through filler hole.

Guide Specification

Surface-mounted liquid soap dispenser shall be fabricated of 20 gauge satin finish stainless steel. Dispenser shall have completely concealed mounting, vandal-resistant filler hole cover and sight gauge. Push-up corrosion-resistant liquid soap valve. Requires less than 5 lbs. of force to dispense soap.

Overall dimensions: 4¹³/₁₆"W x 8³/₁₆"H x 2⁷/₈"D.

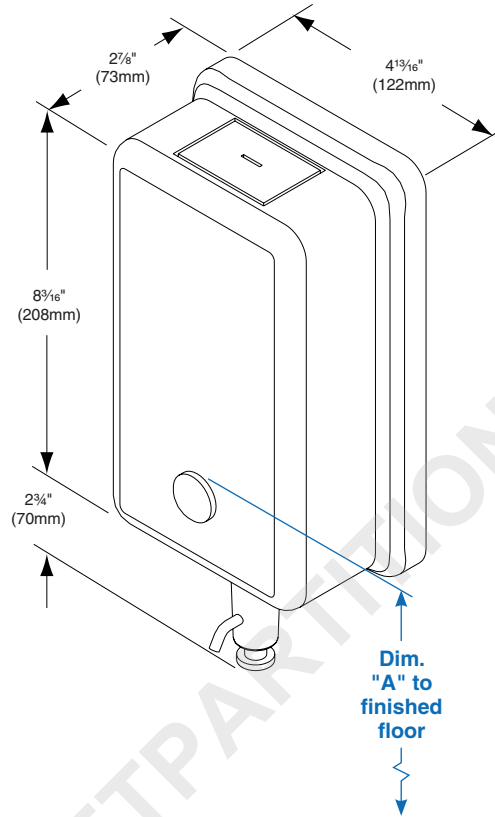


ADA Compliant

- Consult local and national accessibility codes for proper installation guidelines.
- Conformity and compliance to local and national codes is the responsibility of the installer.



Dimensions



Dim. "A" Key Surface:	For Dim. "A"	Top of Unit	Bottom of Unit
Push button top to finished floor	40" (1016mm)	50 1/4" (1276mm)	39 5/16" (999mm)
	38" (965mm)	48 1/4" (1226mm)	37 5/16" (948mm)
	36" (914mm)	46 1/4" (1175mm)	35 5/16" (897mm)
	34" (864mm)	44 1/4" (1124mm)	33 5/16" (846mm)
Rough wall opening:			
Surface-Mount:	No rough opening, see overall dimensions		