



1" O.D. heavy duty stainless steel grab bar with exposed mounting:

Product Materials

FLANGES: 3/8" dia. 11 gauge stainless steel, with exposed surfaces in architectural satin finish.

TUBING: 1" O.D. 18 gauge stainless steel, seamless construction with exposed surfaces in architectural satin finish. Bent ends of tubing pass thru the flanges and are welded into a single structural unit for maximum strength. Intermediate supports are contour cut and joined by welding to form an integral part of the grab bar. All welds ground and polished to blend. Mandrel bending process maintains uniform bar diameter. Return provides 1 1/2" standard safety clearance between wall and bar.

Strength

When properly mounted, all Bradley heavy duty grab bar systems meet or exceed the requirements of ANSI Standard A117.1, the ADA and ABA Accessibility Guidelines for Buildings and Facilities (ADAAG), and the Uniform Federal Accessibility Standard (UFAS). Select dimensions of configurations are 3rd party tested to support up to 900 pounds. See configurations on following page. All other 857 grab bars outside of these parameters are rated to support up to 250 pounds. Wall must be reinforced in the area of the grab bar in order to support the load it is intended to support.

Guide Specification

Grab bar shall be satin finish stainless steel with exposed mounting flanges in sizes and configurations as indicated. Install with Bradley Mounting Kits as indicated.

Installation

For instructions on installation, warnings and maintenance, please visit www.bradleycorp.com.

Optional Features

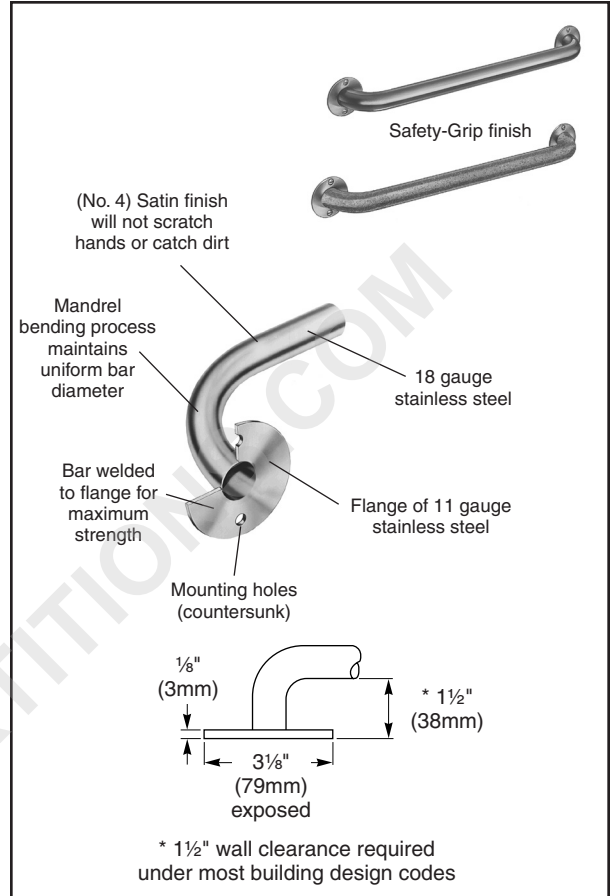
Features	Suffix
<input type="checkbox"/> Safety-grip finish	-2
<input type="checkbox"/> High-polish finish	-4
<input type="checkbox"/> Safety grip with high-polished finish	-7

Configuration Information

OD		1"
Rating (LBS)		900
Configuration Number	Grab Bar Length	857 Series
001-18	18"	X
001-24	24"	X

Bradex® Item - Standard Finish

WARNING Only models/configurations listed in the configurations information table have been rated for use up to 900 pounds. Please see Grab Bar Configurations on bradleycorp.com for all other available configurations.



Bradex® Models

Configuration Number	Shipping Data	
	Cu. Ft.	Wt. Lbs.
001-18"	0.14	2
001-24"	0.14	2

