



- Model 2441 — Recessed **Bradex**[®]
- Model 2441-10 — Semi-Recessed (recesses 2"; projects 2")
- Model 2441-11 — Surface-Mounted (projects 4")
- Standard Series — Satin Finish
- C-Fold/Multi-Fold Towels

Product Materials

CABINET: heavy gauge stainless steel. All welded construction.

FLANGE: 22 gauge stainless steel with exposed surfaces in architectural satin finish. One piece seamless construction, 1" wide with ¼" return.

DOOR: 22 gauge stainless steel with full length piano hinge and tumbler lock keyed like other Bradley units.

TOWEL DISPENSER: 22 gauge stainless steel. Flat edge on dispenser opening.

Capacity

475 multi-fold or 350 C-fold paper towels.

Operation

Towel dispenser holds multi-fold or C-fold towels without use of special adaptor.

Installation

Verify all rough-in dimensions prior to installation.

Model 2441 (recessed with mounting holes provided) requires rough wall opening 11¾"W x 15⅛"H x 4"D.

Model 2441-10 (semi-recessed with mounting holes provided) requires rough wall opening 11¾"W x 15⅛"H x 2"D.

Model 2441-11 (surface-mounted) requires four Ø ¼" mounting holes to be drilled into back of unit prior to installation.

Secure unit through mounting holes with mounting screws (included). Shim at screw points as required. Surface-mounted units must have holes drilled by installer.

Guide Specification

Recessed towel dispenser shall be fabricated of heavy gauge stainless steel with exposed surfaces in satin finish. Door with full length piano hinge and secured by tumbler lock. Towel dispenser capacity 475 multi-fold or 350 C-fold towels.

Overall dimensions: 12¾"W x 17⅛"H x 4"D.



ADA Compliant

- Consult local and national accessibility codes for proper installation guidelines.
- Conformity and compliance to local and national codes is the responsibility of the installer.

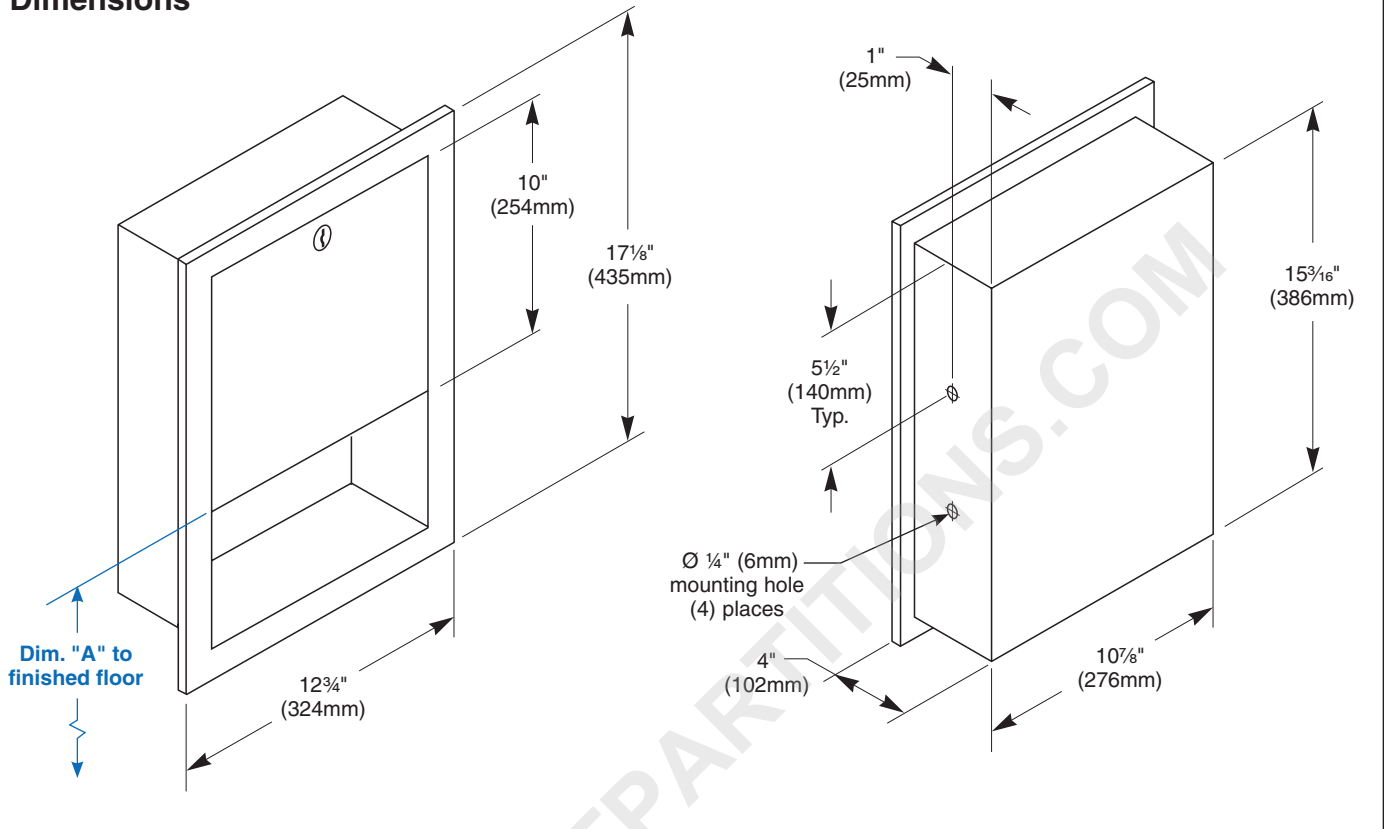
Orders composed of products indicated as **Bradex**[®] will be available to ship in three days after receipt of order at the factory. There is no pricing penalty for this service from Bradley.

Page 1 of 2
6/20/2011
This information is subject to change without notice.
Bradley_CombiDispenser_2441_10_11

© 2014 Bradley
P.O. Box 309, Menomonee Falls, WI 53052-0309
800 BRADLEY (800 272 3539) +1 262 251 6000
bradleycorp.com



Dimensions



Dim. "A" Key Surface:	For Dim. "A"	Top of Rough Wall Opening	Bottom of Rough Wall Opening
Paper towel top of opening to finished floor	48" (1219mm)	58 3/4" (1492mm)	43 1/16" (1094mm)
	45" (1143mm)	55 3/4" (1416mm)	40 1/16" (1018mm)
	42" (1067mm)	52 3/4" (1340mm)	37 1/16" (941mm)
	40" (1016mm)	50 3/4" (1289mm)	35 1/16" (891mm)
Rough wall opening:			
Surface Mount:	No rough opening, see overall dimensions		
Recessed:	11 3/8" (289mm) Wide x 15 3/8" (399mm) High x 4" (102mm) Deep		
Semi-Recessed:	11 3/8" (289mm) Wide x 15 3/8" (399mm) High x 2" (51mm) Deep		

Orders composed of products indicated as **Bradex**® will be available to ship in three days after receipt of order at the factory. There is no pricing penalty for this service from Bradley.