

Model 2479-11 — Surface-Mounted

Center Pull Towel Dispenser

Product Materials

CABINET: 18 gauge stainless steel with exposed surfaces in satin finish. All welded construction.

DOOR: 18 gauge stainless steel with exposed surfaces in satin finish. Door secured with full length stainless steel piano hinge and tumbler lock keyed like other Bradley accessory items.

TOWEL DISPENSER: black ABS plastic.

Capacity

One standard core center pull towel roll up to 9" wide x 9" diameter.

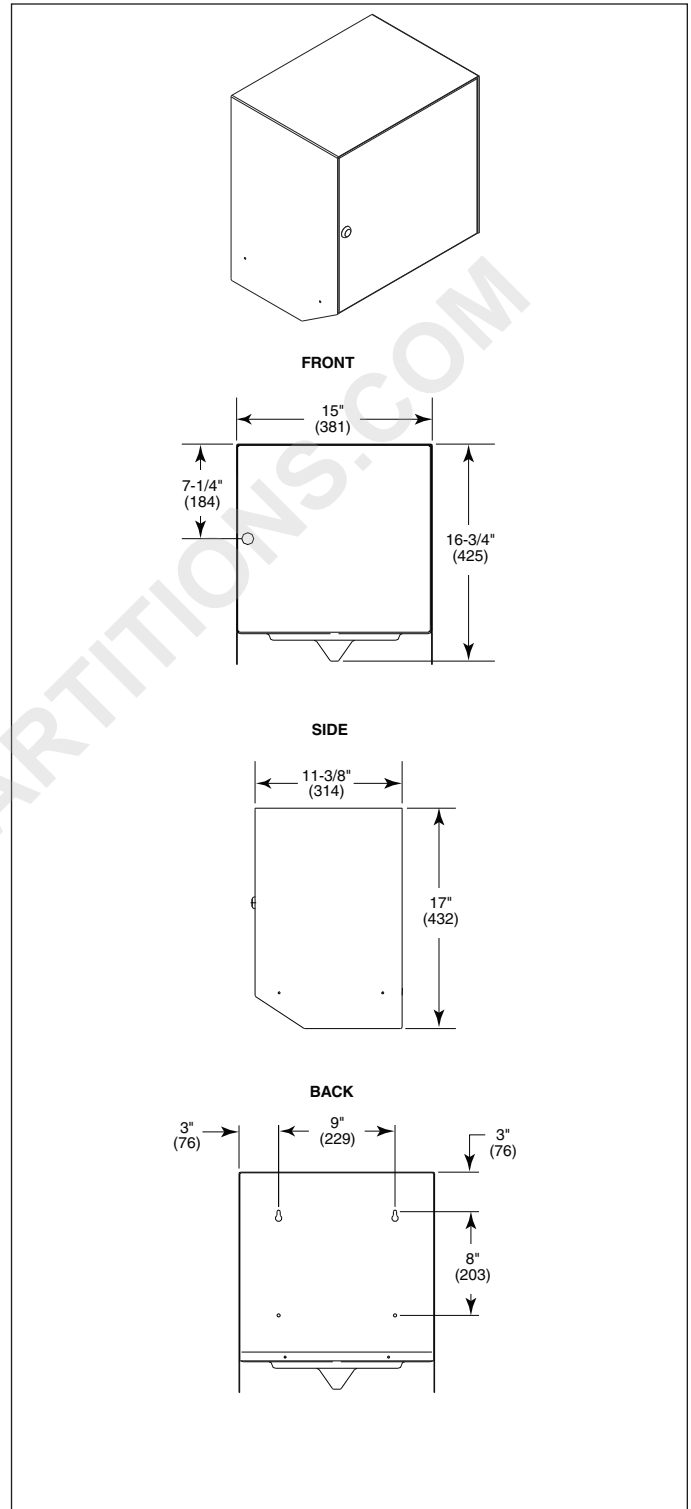
Installation

Verify all rough-in dimensions prior to installation. Secure to wall with four mounting screws (included) through holes in back of towel dispenser cabinet.

Guide Specification

Surface-mounted towel dispenser shall be fabricated of stainless steel with exposed surfaces in satin finish. Cabinet door shall have full length piano hinge and be secured with tumbler lock. Towel dispenser to accommodate one standard center pull paper towel roll up to 9" wide x 9" diameter.

Overall dimensions: 15"W x 17"H x 11-3/8"D.



**Washroom Accessories
Document No. 8197**

This information is subject to change without notice.
Always consult local and national codes for proper installation guidelines.
Conformity and compliance to local and national codes is the responsibility of the installer.