



- Surface-Mounted
- Roll Paper Towels
- Push Bar Operation

Product Materials

CABINET: 22 gauge satin finish stainless steel. Cabinet secured with tumbler lock.

ROLL TOWEL MECHANISM: enameled steel and impact resistant plastic.

Capacity

One roll standard core 8" or 9" wide x 800' long paper towel roll.

Operation

Push bar operates with less than 5 lbs. of force to dispense adjustable lengths of paper toweling with each stroke.

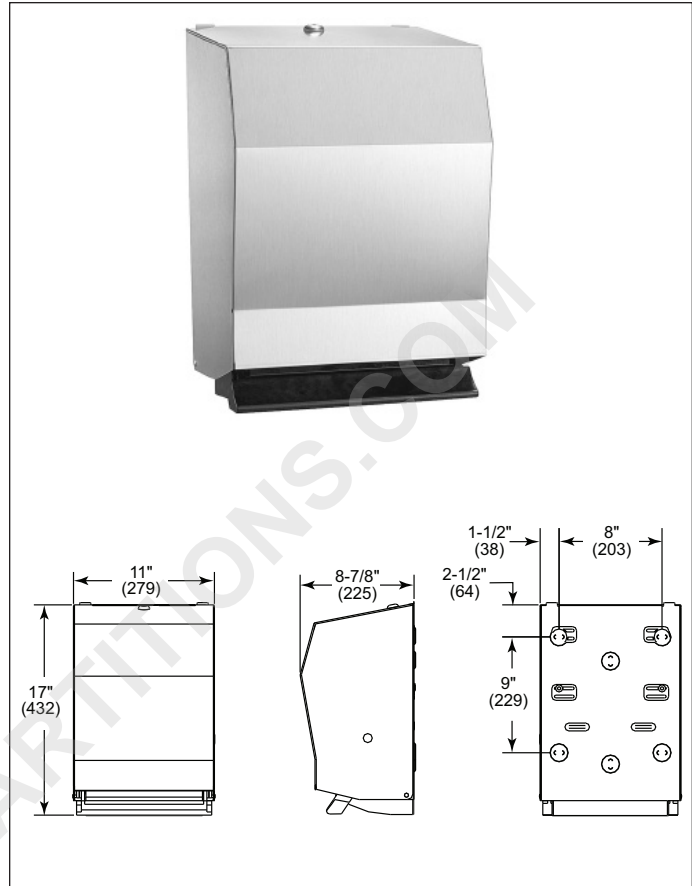
Installation

Verify all rough-in dimensions prior to installation. Secure unit to wall through back with mounting screws (included) at mounting holes provided.

Guide Specification

Surface-mounted roll paper towel dispenser cabinet shall be fabricated of 22 gauge stainless steel with exposed surfaces in satin finish. Roll towel mechanism shall be fabricated of enameled steel and impact resistant plastic. Roll towel mechanism shall be adjustable to dispense several preset lengths of paper towel. Push bar dispensing lever shall operate with less than 5 lbs. of force.

Overall dimensions: 11"W x 17"H x 8-7/8"D.



WWW.TOILETPARTITIONS.COM