




- Model 2A02 — Recessed**  
(recesses 9-3/4"; projects 2-3/4") 
- Model 2A02-10 — Semi-Recessed**  
(recesses 4"; projects 8-1/2")
- Model 2A02-11 — Surface-Mounted**  
(projects 13-1/4")
- Diplomat Series
- Roll Paper Towels

### Product Materials

**CABINET:** 0.030-inch/22ga.-(0.76 mm) stainless steel with exposed surfaces in architectural satin finish. Welded construction with seamless corners and burr-free edges.

**FLANGE:** 0.030-inch/22ga.-(0.76 mm) stainless steel with exposed surfaces in architectural satin finish. One-piece seamless construction, 1" wide with 1/4" return.

**DOOR:** 0.036-inch/20ga.-(0.92 mm) stainless steel with full length piano hinge and tumbler lock keyed like other Bradley units. Front of door has matching curvature to other Bradley Diplomat washroom accessories.

**TOWEL DISPENSER:** furnished (manufactured by others).

### Capacity

One standard core 8"W x 8" diameter standard roll paper towels.

### Operation

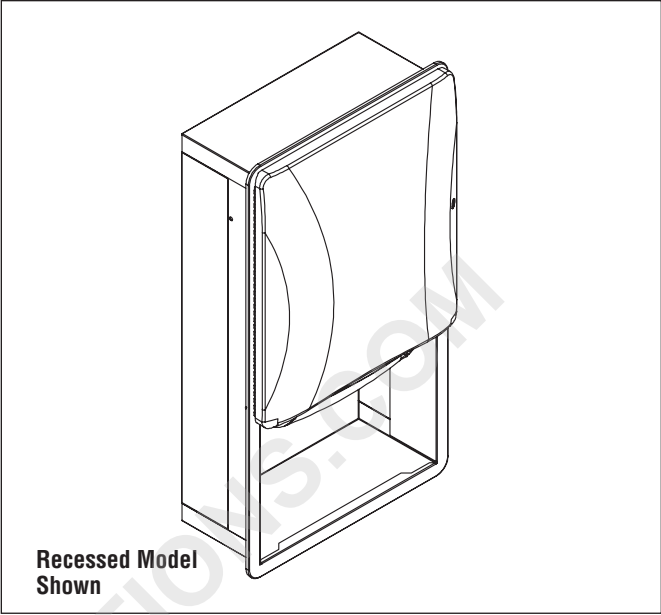
Towel dispenser delivers preset length of towel (10" per operation).

### Installation

Verify all rough-in dimensions prior to installation. Recessed unit requires rough wall opening 15-1/2"W x 29-1/8"H x 9-3/4"D. (Semi-recessed unit only 4"D). Secure to framing with mounting screws (not included) at holes provided. Shim at screw points as required.

### Service Parts Available

- AC Conversion Kit (#P15-459)



### Guide Specification

Sensor-activated roll paper towel dispenser in [recessed] [semi-recessed] [surface-mounted] wall cabinet. Towel dispenser door face formed with contemporary contours, radii, and finish matching related accessories in manufacturer's designer series. Towel dispenser capacity one: 8- inch wide by 8-inch diameter standard paper towel roll with sensor-activated towel dispensing mechanism, with hinged service door with keyed tumbler lock. Universal keying. Formed from stainless steel sheet with satin finish on exposed surfaces, fully welded, with seamless corners and burr-free edges: cabinet and flange 0.030-inch / 22-ga. thick; door 0.036-inch /20-ga. thick. Towel dispenser operates with four D-size alkaline batteries.

**Overall dimensions: 17-1/8"W x 30-5/8"H x 13-1/4"D.**

**MasterFormat Title:** Commercial Toilet Accessories

**MasterFormat Number:** 10 28 13.13

**OmniClass Title:** Toilet and Bath Specialties

**OmniClass Code:** 23.31.25.00

### ADA Compliant

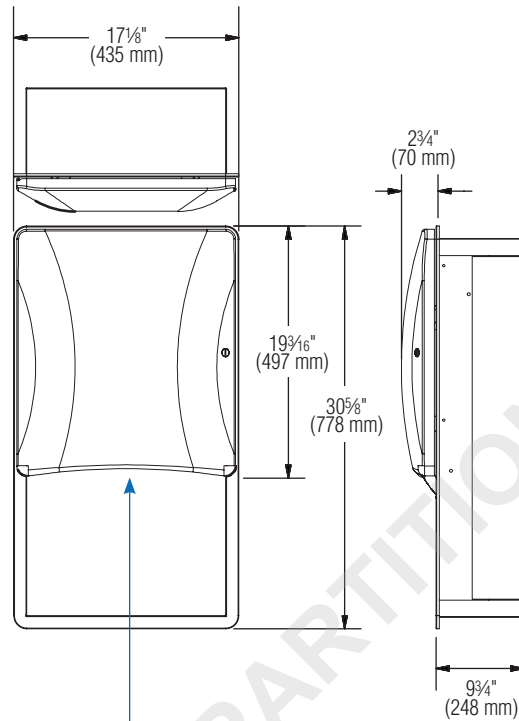
- Consult local and national accessibility codes for proper installation guidelines.
- Conformity and compliance to local and national codes is the responsibility of the installer.

**For information on Warranties, Maintenance and BAA/ARRA Compliance, visit our web site at:**

[bradleycorp.com/products/accessories/](http://bradleycorp.com/products/accessories/).



Dimensions



Dim. "A" to finished floor

Dim. "A" Key Surface:	For Dim. "A"	Locate Top of Rough Wall Opening	Locate Bottom of Rough Wall Opening
Paper towel top of opening to finished floor	48" (1219mm)	66 <sup>1</sup> / <sub>4</sub> " (1683mm)	37 <sup>1</sup> / <sub>8</sub> " (943mm)
	45" (1143mm)	63 <sup>1</sup> / <sub>4</sub> " (1607mm)	34 <sup>1</sup> / <sub>8</sub> " (867mm)
	42" (1067mm)	60 <sup>1</sup> / <sub>4</sub> " (1530mm)	31 <sup>1</sup> / <sub>8</sub> " (791mm)
	40" (1016mm)	58 <sup>1</sup> / <sub>4</sub> " (1480mm)	29 <sup>1</sup> / <sub>8</sub> " (740mm)