



Model 4A11 — Partition-Mounted

- Diplomat Series
- Serves Two Compartments

- If used with an odd number of toilet compartments, use one Bradley Model 4A00 napkin disposal on side wall of end compartment.

Product Materials

FLANGE: 0.030-inch/22ga.-(0.76 mm) stainless steel with exposed surfaces in architectural satin finish. One-piece seamless construction, $\frac{5}{8}$ " wide with $\frac{1}{4}$ " return.

CABINET: 0.030-inch/22ga.-(0.76 mm) stainless steel with exposed surfaces in architectural satin finish. All welded construction matching curvature to other Bradley Diplomat washroom accessories.

PUSH FLAP DOOR: 0.036-inch/20ga.-(0.92 mm) stainless steel with exposed surfaces in architectural satin finish. Heavy-duty stainless steel piano hinge and tumbler locks keyed like other Bradley units. Self-closing flap door.

Capacity

1.5 gal (0.2 cu. ft.)

Operation

Waste container removable from one side with finger grip.

Installation

Verify all rough-in dimensions prior to installation. Requires partition opening $11\frac{1}{4}$ "W x $13\frac{3}{4}$ "H. Location of hole and dimensions should be noted in partition specifications. Adjustable for partitions from $\frac{1}{2}$ " to $1\text{-}1\frac{1}{8}$ " thick. Secure with mounting screws (included) at holes provided. Shim at screw points as required.

Guide Specification

Partition-mounted, dual-sided napkin/tampon disposal unit with self-trimming flanges, with faces formed with contemporary contours, radii, and finish matching related accessories in manufacturer's designer series. Capacity 1.5 gal (0.2 cu. ft.). Equipped with push flap doors with concealed hinges, hinged drop-down service door and keyed tumbler lock, and removable waste container. Universal keying. Formed from stainless steel sheet with satin finish on exposed surfaces, fully welded, with seamless corners and burr-free edges: cabinet, flange, and waste container 0.030-inch / 22-ga. thick; door 0.036-inch / 20-ga. thick. Provide manufacturer's single-sided unit on side wall of odd-numbered end compartments where applicable.

Overall dimensions: $12\frac{5}{16}$ "W x $14\frac{13}{16}$ "H x 6"D.



MasterFormat Title: Commercial Toilet Accessories

MasterFormat Number: 10 28 13.13

OmniClass Title: Toilet and Bath Specialties

OmniClass Code: 23.31.25.00

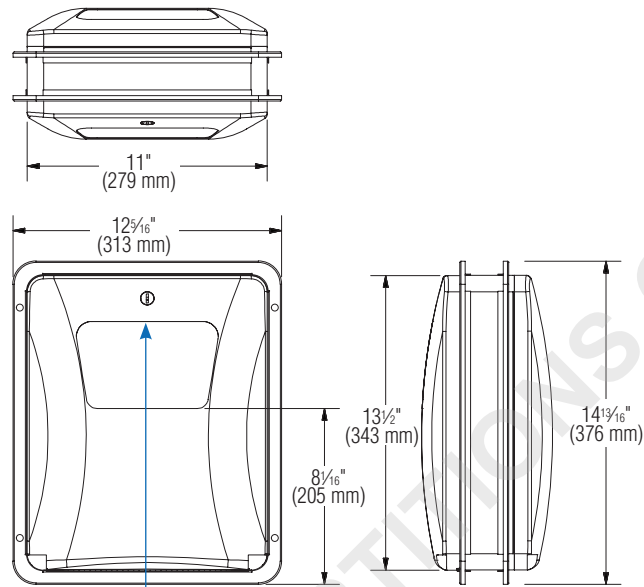
ADA Compliant

- Consult local and national accessibility codes for proper installation guidelines.
- Conformity and compliance to local and national codes is the responsibility of the installer.

For information on Warranties, Maintenance and BAA/ARRA Compliance, visit our web site at:
bradleycorp.com/products/accessories/.



Dimensions



Dim. "A" to finished floor

Dim. "A" Key Surface:	For Dim. "A"	Locate Top of Rough Wall Opening	Locate Bottom of Rough Wall opening
Top of Door (4" Door Opening) to finished floor	48" (1219mm)	50" (1270mm)	36 ¹ / ₄ " (921mm)
	40" (1016mm)	42" (1067mm)	28 ¹ / ₄ " (718mm)
	32" (813mm)	34" (864mm)	20 ¹ / ₄ " (514mm)
	24"(610mm)	26" (660mm)	12 ¹ / ₄ " (311mm)