



Model 4A20 — Recessed for 4" Deep Wall (projects 1¾")

Model 4A20-11 — Surface-Mounted (projects 5¾")

Diplomat Series

Product Materials

CABINET 0.030-inch/22ga.-(0.76 mm) stainless steel with exposed surfaces in architectural satin finish. All welded construction.

DOOR 0.036-inch/20ga.-(0.92 mm) stainless steel with with full length piano hinge and tumbler lock keyed like other Bradley units.

COIN BOX 0.030-inch/22ga.-(0.76 mm) stainless steel. Secured with tumbler lock keyed differently than door for security. Coin mechanisms are available with free, \$.10, \$.25, \$.50, \$1.00 or Canadian Loonie denomination.

Capacity

18 napkins (3" x 4¼" x 1" box) and 28 tampons (5½" long x ¾" diameter tube). Dispenses most popular brands.

Operation

Insertion of coin permits clockwise rotation of handle to dispense product. Unit will not accept coin when product is empty. Access door allows refilling of product and emptying of coin box.

Installation

Verify all rough-in dimensions prior to installation.

Recessed Unit: Requires rough wall opening 16½"W x 27½"H x 4"D. (fully recessed). Insert cabinet into wall opening and secure to framing with mounting screws (not included) at holes provided. Shim at screw points as required.

Surface Unit: Secure cabinet to wall with screws (not included) at holes provided.

Guide Specification

Combination napkin/tampon vendor in [recessed] [surface-mounted] wall cabinet, with hinged door face formed with contemporary contours, radii, and finish matching related accessories in manufacturer's designer series. Vendor capacity 18 napkins and 28 tampons. Operated by rotation of handle (less than 90 deg.) to dispense product. Equipped with keyed tumbler lock. Universal keying. Formed from stainless steel sheet with satin finish on exposed surfaces, fully welded, with seamless corners and burr-free edges: cabinet, flange, and coin box 0.030-inch / 22-ga. thick; door 0.036-inch / 20-ga. thick. Coin mechanism: [Free] [\$0.25] [\$0.50] [\$1.00] [\$1.00CAN]. Coin box equipped with separately-keyed lock.

Overall dimensions: 17"W x 28¹³/₁₆"H x 5¾"D.



Select Model

	Currency	Description	Suffix
<input type="checkbox"/>	US	Free	-40
<input type="checkbox"/>	US	10¢	-42
<input type="checkbox"/>	US	25¢	-45
<input type="checkbox"/>	US	50¢	-43
<input type="checkbox"/>	US	\$1.00	-44
<input type="checkbox"/>	Foreign	Canadian Loonie	

MasterFormat Title: Commercial Toilet Accessories

MasterFormat Number: 10 28 13.13

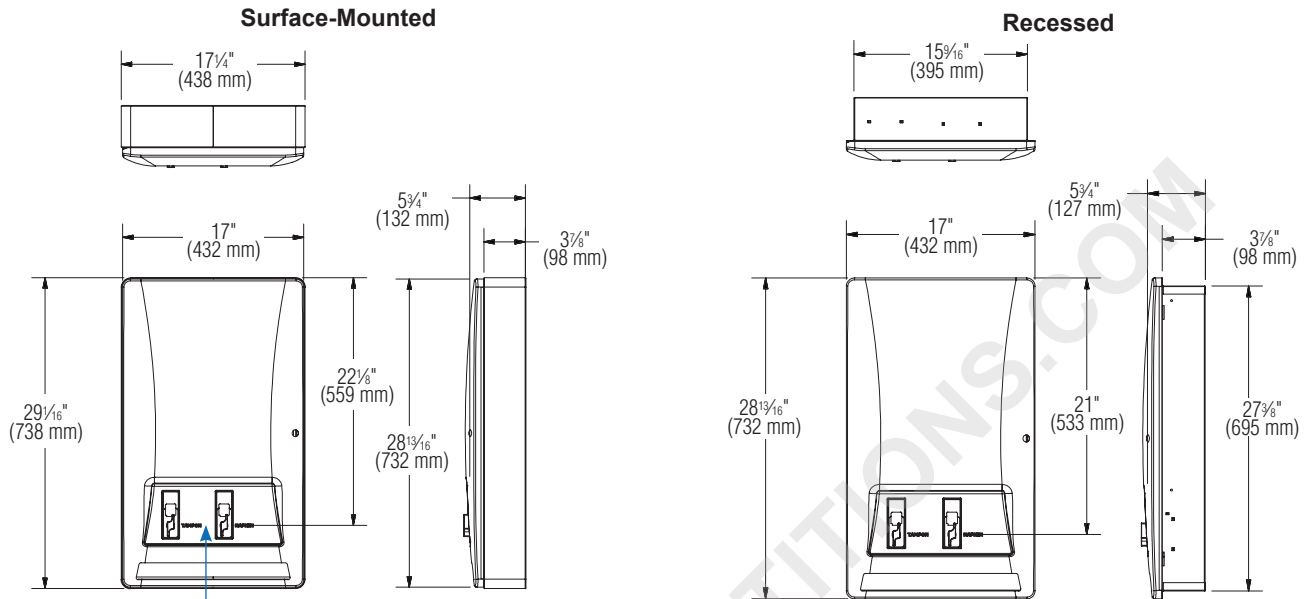
OmniClass Title: Toilet and Bath Specialties

OmniClass Code: 23.31.25.00

For information on Warranties, Maintenance and BAA/ARRA Compliance, visit our web site at:
bradleycorp.com/products/accessories/.



Dimensions



Dim. "A" to finished floor

Rough wall opening:
Recessed: 16-1/8" W x 27-7/8" H x 4" D

Dim. "A" Key Surface:	For Dim. "A"	Locate Top of Unit	Locate Bottom of Unit
Top of coin slot area to finished floor	48" (1219mm)	68 1/2" (1740mm)	40 5/8" (1032mm)
	45" (1143mm)	65 1/2" (1664mm)	37 5/8" (956mm)
	42" (1067mm)	62 1/2" (1558mm)	34 5/8" (879mm)
	40" (1016mm)	60 1/2" (1537mm)	32 5/8" (829mm)