



□ Model 5A00 — Recessed

- Diplomat Series
- Dual Roll

Product Materials

CABINET: 0.030-inch/22ga.-(0.76 mm) gauge stainless steel with exposed surfaces in architectural satin finish. Welded construction with seamless corners and burr-free edges.

FLANGE: 0.030-inch/22ga.-(0.76 mm) gauge stainless steel with exposed surfaces in architectural satin finish. One-piece seamless construction, 5/8" wide with 1/4" return.

SERVICE DOOR: Heavy gauge stainless steel with tumbler lock keyed like other Bradley units. Hinged at bottom. Front of door has matching curvature to other Bradley Diplomat washroom accessories.

SPINDLES: molded polyethylene.

Capacity

Single-roll dispenser with roll-in-reserve.

Operation

Cabinet holds two rolls up to 4-1/2"W x 5-1/4" diameter standard core toilet tissue, one above the other. When first roll is used-up, fresh roll automatically drops down for use. Unique retaining mechanism prevents use of spare roll until first roll is completely used. Spindles non-removable by user. Hinged door permits access to storage compartment for servicing of unit.

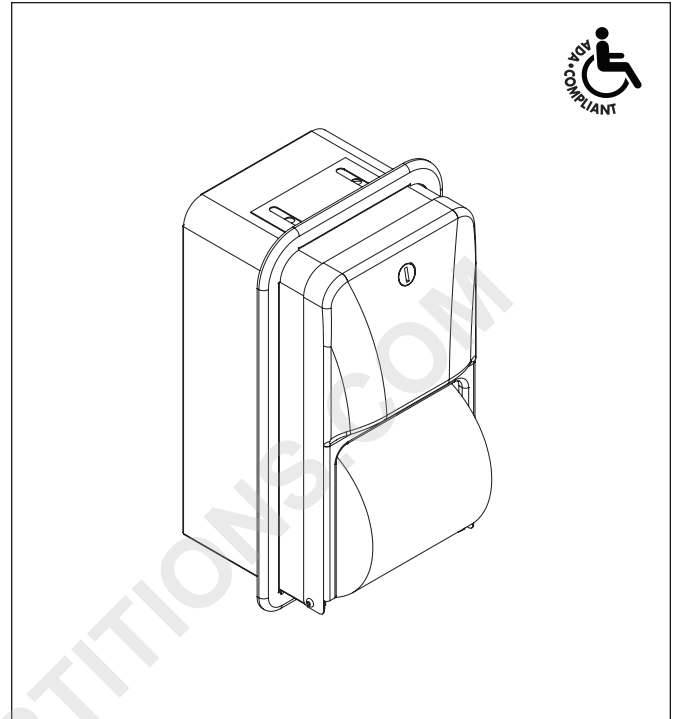
Installation

Verify all rough-in dimensions prior to installation. Requires rough wall opening 6" W x 11-1/8"H x 4"D.

Guide Specification

Toilet Tissue Dispenser: Bradley Corp. Diplomat Series Model 5A00: Recess-mounted toilet tissue dispenser with self-trimming flange, with face formed with contemporary contours, radii, and finish matching related accessories in manufacturer's designer series. Single roll up to 5-1/4" diameter in standard roll dispenser with drop-down roll-in-reserve; rolls mounted on non-removable molded polyethylene spindles. Equipped with bottom-hinged service door with keyed tumbler lock. Universal keying. Formed from stainless steel sheet with satin finish on exposed surfaces, fully welded, with seamless corners and burr-free edges: cabinet, flange, and door 0.030-inch / 22-ga. thick.

Overall dimensions: 6 7/8"W x 12 1/8"H x 6 3/16"D



MasterFormat Title: Commercial Toilet Accessories

MasterFormat Number: 10 28 13.13

OmniClass Title: Toilet and Bath Specialties

OmniClass Code: 23.31.25.00

ADA Compliant

- Consult local and national accessibility codes for proper installation guidelines.
- Conformity and compliance to local and national codes is the responsibility of the installer.

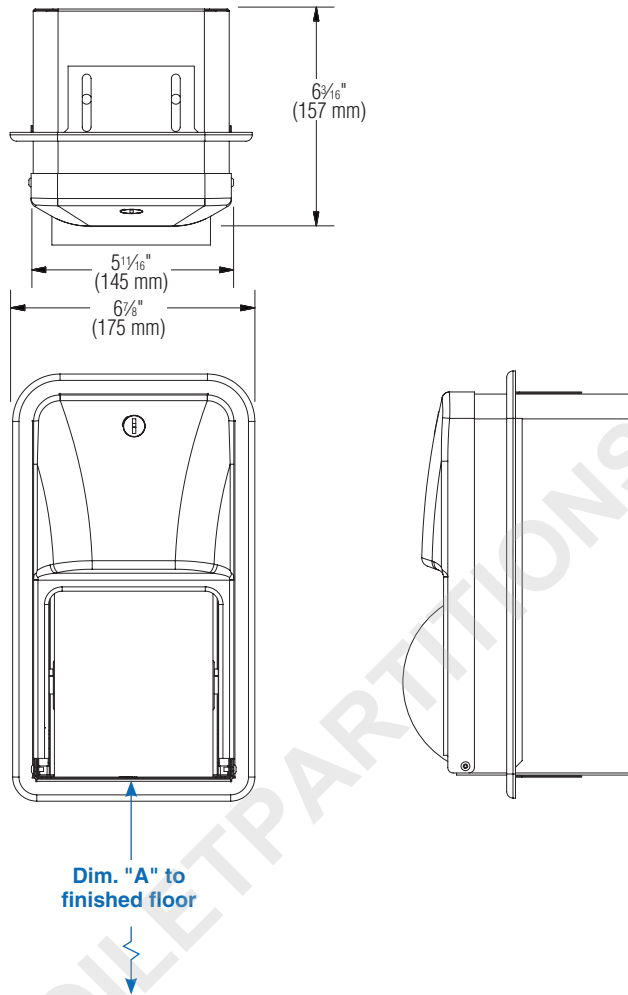
For information on Warranties, Maintenance and BAA/ARRA Compliance, visit our web site at: bradleycorp.com/products/accessories/.

Orders composed of products indicated as **Bradex**® will be available to ship in three days after receipt of order at the factory. There is no pricing penalty for this service from Bradley.



Dimensions

(mm)



Dim. "A" Key Surface:	For Dim. "A"	Top of Rough Wall Opening	Bottom of Rough Wall Opening
Bottom of toilet paper opening to finished floor	20" (508mm)	31 1/4" (794mm)	20 1/8" (511mm)
	19" (483mm)	30 1/4" (768mm)	19 1/8" (486mm)
	18" (457mm)	29 1/4" (743mm)	18 1/8" (460mm)
	17" (432mm)	28 1/4" (718mm)	17 1/8" (435mm)
	16" (406mm)	27 1/4" (692mm)	16 1/8" (410mm)
	15" (381mm)	26 1/4" (667mm)	15 1/8" (384mm)

Orders composed of products indicated as **Bradex**® will be available to ship in three days after receipt of order at the factory. There is no pricing penalty for this service from Bradley.