



## Model 5A10-11—Surface-Mounted **Bradex**<sup>®</sup>

- Diplomat Series
- Dual Roll

### Product Materials

**CABINET:** 0.030-inch/22ga.-(0.76 mm) stainless steel with exposed surfaces in architectural satin finish. Welded construction with seamless corners and burr-free edges.

**SERVICE DOOR:** 0.030-inch/22ga.-(0.76 mm) stainless steel with tumbler lock keyed like other Bradley units. Hinged at bottom.

**SPINDLES:** molded polyethylene.

### Capacity

Single-roll dispenser with roll-in-reserve.

### Operation

Cabinet holds two rolls up to 4-1/2"W x 5-1/4" diameter standard core toilet tissue, one above the other. When first roll is used-up, fresh roll automatically drops down for use. Unique retaining mechanism prevents use of spare roll until first roll is completely used. Spindles non-removable by user. Hinged door permits access to storage compartment for servicing of unit.

### Installation

Surface mounted units must have holes drilled by installer. Secure unit to wall or partition with mounting screws (not included). Shim at screw points as required.

### Guide Specification

Surface-mounted toilet tissue dispenser, with face formed with contemporary contours, radii, and finish matching related accessories in manufacturer's designer series. Single roll up to 5-1/4" diameter in standard roll dispenser with drop-down roll-in-reserve; rolls mounted on non-removable molded polyethylene spindles. Equipped with bottom-hinged service door with keyed tumbler lock. Universal keying. Formed from stainless steel sheet with satin finish on exposed surfaces, fully welded, with seamless corners and burr-free edges: cabinet and door 0.030-inch / 22-ga. thick.

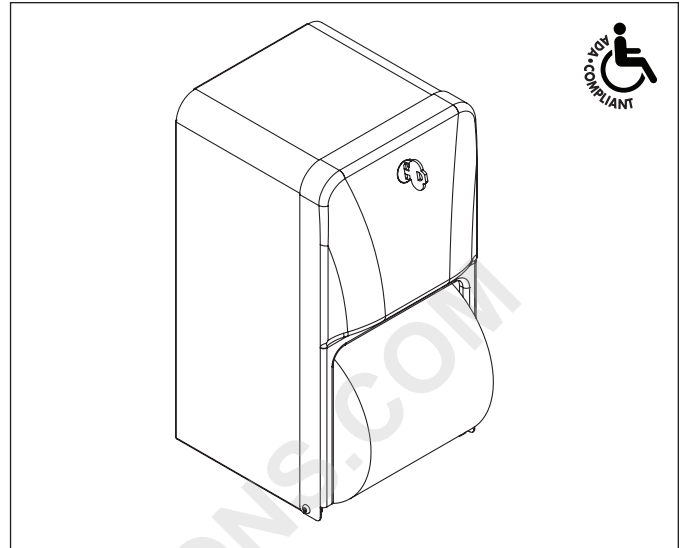
**Overall dimensions:** 5<sup>9</sup>/<sub>16</sub>"W x 10<sup>7</sup>/<sub>8</sub>"H x 6<sup>3</sup>/<sub>16</sub>"D.

**MasterFormat Title:** Commercial Toilet Accessories

**MasterFormat Number:** 10 28 13.13

**OmniClass Title:** Toilet and Bath Specialties

**OmniClass Code:** 23.31.25.00

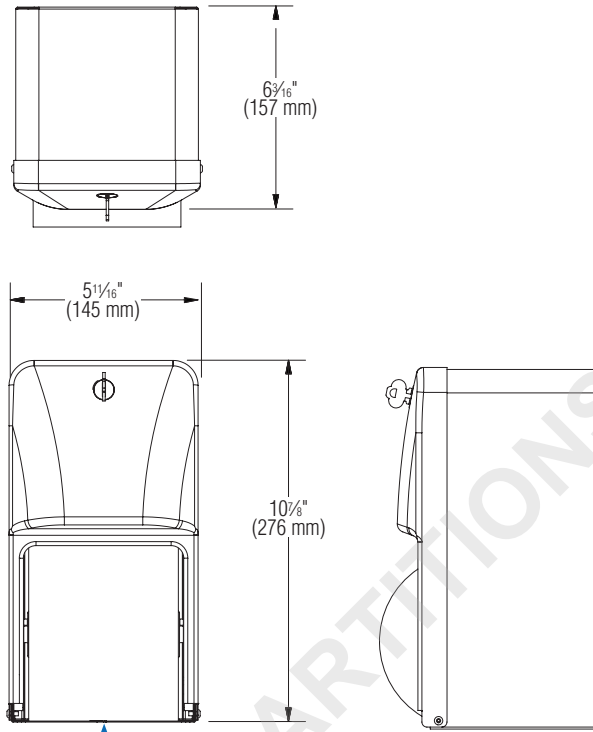


For information on Warranties, Maintenance and BAA/ARRA Compliance, visit our web site at:  
[bradleycorp.com/products/accessories/](http://bradleycorp.com/products/accessories/).

Orders composed of products indicated as **Bradex**<sup>®</sup> will be available to ship in three days after receipt of order at the factory. There is no pricing penalty for this service from Bradley.



**Dimensions**



Dim. "A" to finished floor

Dim. "A" Key Surface:	For Dim. "A"	Locate Top of Unit	Locate Bottom of Unit
Bottom of toilet paper opening to finished floor	20" (508mm)	30 <sup>3</sup> / <sub>4</sub> " (781mm)	19 <sup>7</sup> / <sub>8</sub> " (505mm)
	19" (483mm)	29 <sup>3</sup> / <sub>4</sub> " (756mm)	18 <sup>7</sup> / <sub>8</sub> " (479mm)
	18" (457mm)	28 <sup>3</sup> / <sub>4</sub> " (730mm)	17 <sup>7</sup> / <sub>8</sub> " (454mm)
	17" (432mm)	27 <sup>3</sup> / <sub>4</sub> " (705mm)	16 <sup>7</sup> / <sub>8</sub> " (429mm)
	16" (406mm)	26 <sup>3</sup> / <sub>4</sub> " (679mm)	15 <sup>7</sup> / <sub>8</sub> " (403mm)
	15" (381mm)	25 <sup>3</sup> / <sub>4</sub> " (654mm)	14 <sup>7</sup> / <sub>8</sub> " (378mm)

Orders composed of products indicated as **Bradex**® will be available to ship in three days after receipt of order at the factory. There is no pricing penalty for this service from Bradley.