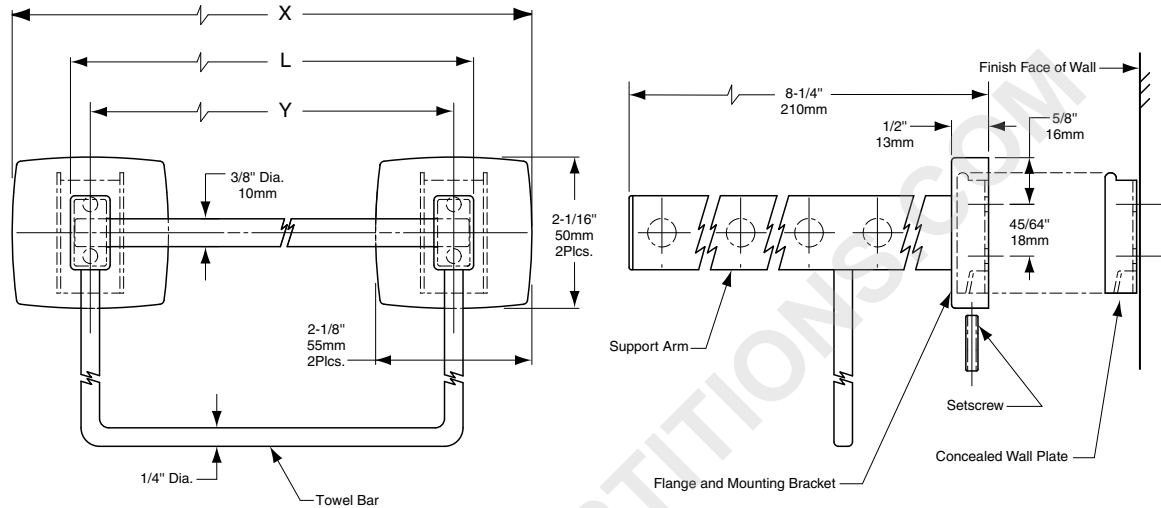


# SURFACE-MOUNTED TOWEL SHELF WITH TOWEL BAR

**7676**  
**76767**

**Specify Model Required:**  Model 7676 Bright polished stainless steel  
 Model 76767 Satin-finish stainless steel



**STANDARD STOCK SIZES**

Model No.	Bar Length L	Overall Length X	Centerline-to-Centerline Y
7676 x 24	24" (610mm)	25-5/8" (650mm)	23-5/8" (600mm)
76767 x 24	24" (610mm)	25-5/8" (650mm)	23-5/8" (600mm)



**MATERIALS:**

**Flanges & Support Arms (2)** — 18-8, type-304, 22-gauge (0.8mm) stainless steel. Each flange has concealed, 18-gauge (1.2mm) stainless steel mounting bracket. All-welded construction. Secured to wall plates with stainless steel setscrews.

**Concealed Wall Plates (2)** — 18-8, type-304, 19-gauge (1.0mm) stainless steel.

**Shelf & Towel Bar** — 18-8, type-304, heavy-gauge stainless steel. Shelf consists of four seamless 3/8" (9.5mm) diameter tubing with 1/4" (6mm) towel bar below.

**INSTALLATION:**

To remove concealed wall plates from back of flanges and mounting brackets, loosen locking setscrews. Mount each wall plate so prongs are at top; secure with sheet-metal screws, furnished by manufacturer, at points indicated by an S. Engage mounting brackets onto prongs of wall plates, then secure into position by tightening setscrews at bottom of flanges.

**Note:** Centerline-to-centerline of concealed wall plates must be within 1/16" (1.6mm) of the length dimension.

For plaster or dry wall construction, provide concealed backing to comply with local building codes, then secure unit with screws furnished. For other wall surfaces, provide fiber plugs or expansion shields for use with sheet-metal screws, or provide 1/8" (3mm) toggle bolts or expansion bolts.

**SPECIFICATION:**

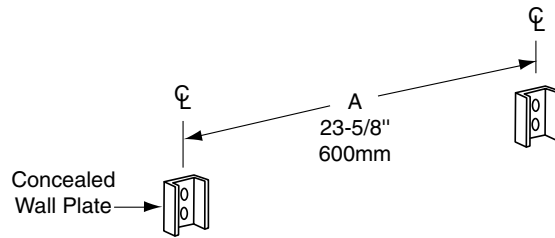
Surface-mounted towel shelf with towel bar shall be type-304 stainless steel with \_\_\_\_\_ (insert one: bright polished or satin) finish. Flanges and support arms shall be 22 gauge (0.8mm) and equipped with concealed, 18-gauge (1.2mm) mounting brackets that are secured to concealed, 19-gauge (1.0mm) wall plates with setscrews. Shelf shall be 3/8" (9.5mm) diameter tubing. Towel bar shall be 1/4" (6mm) diameter tubing.

**Surface-Mounted Towel Shelf With Towel Bar shall be Model \_\_\_\_\_ (insert model number) of Gamco Commercial Restroom Accessories, One Gamco Place, Durant, OK, 74701-1910**

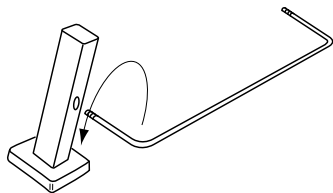
# ASSEMBLY INSTRUCTIONS

## GAMCO SURFACE-MOUNTED TOWEL SHELF WITH TOWEL BAR

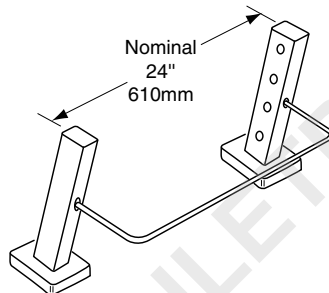
1. Fasten the two Concealed Wall Plates with dimension A center line to center line.



2. Assemble Towel Bar.

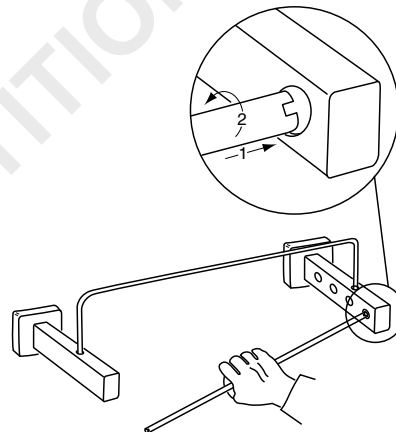


Screw Towel Bar to Support Arms



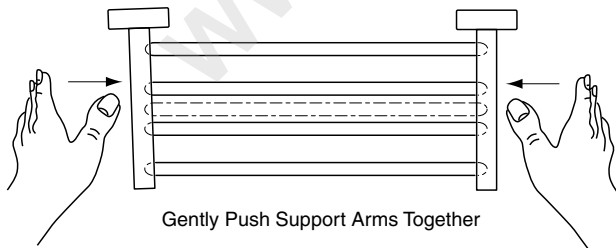
Adjust and Align Support Arms

3. Assemble the Front Notched Tubing.



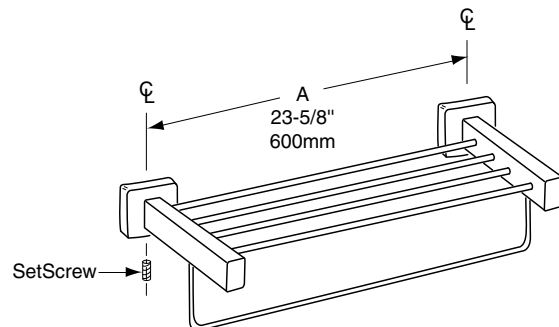
Tubing with notch on each end is inserted into first hole of Support Arms

4. Assemble the remaining Tubing.



Gently Push Support Arms Together

5. Once Tubing is in place measure Dimension A.



**Gamco Commercial Restroom Accessories:** A Division of Bobrick, One gamco Place, Durant, OK 74701-1910  
**For Customer Service Bobrick New York Division** Phone: (518) 877-7444; Fax: (518) 877-5029  
**For Customer Service Bobrick Los Angeles Division** Phone: (818) 982-9600; Fax: (818) 503-1102