



Technical Data

MIRROR WITH STAINLESS STEEL ANGLE FRAME

B-2906 B-2908 B-2909

SPECIAL-ORDER REFLECTIVE SURFACES

Specify Series Required:

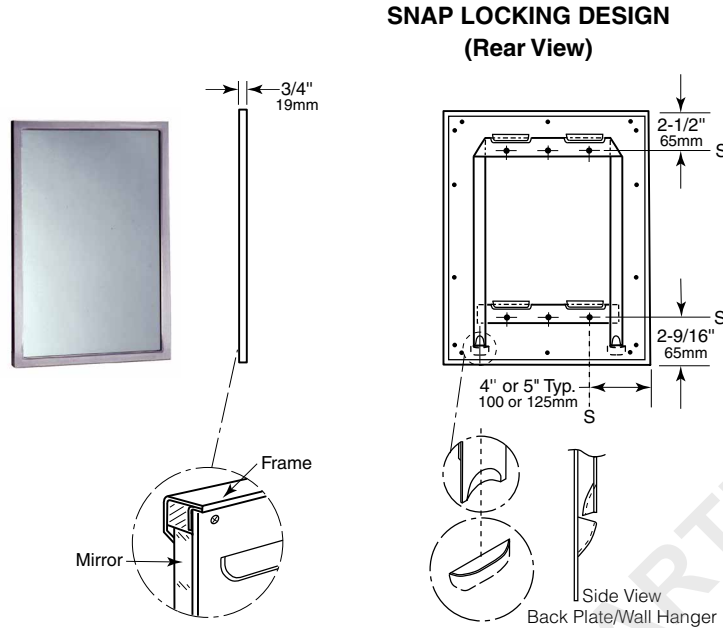


Figure: 1

- ❑ B-2908 Series Tempered Glass Mirror
Standard Sizes —
B-2908 1830 18" x 30" (46 x 76cm)
B-2908 1836 18" x 36" (49 x 91cm)
B-2908 2436 24" x 36" (61 x 91cm)

SCREW LOCKING DESIGN (Rear View)

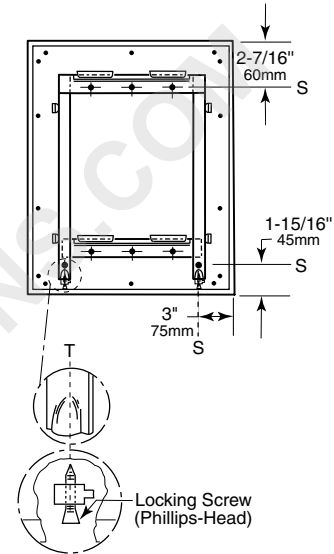


Figure: 2

- ❑ B-2906 Series Polished Stainless Steel Mirror —
60" x 36" (152 x 91cm) or
36" x 60" (91 x 152cm) maximum;
12" x 12" (30 x 30cm) minimum.
- ❑ B-2908 Series Tempered Glass Mirror —
115" x 48" (292 x 122cm) or
48" x 115" (122 x 292cm) maximum;
18" x 30" (46 x 76cm) minimum.
- ❑ B-2909 Series Laminated Glass Mirror —
84" x 48" (213 x 122cm) or
48" x 84" (122 x 213cm) maximum;
16" x 18" (41 x 46cm) minimum.

Designer's Notes:

1. Special-order only.
2. All Bobrick framed mirrors are manufactured to overall width and height dimensions. EXAMPLE: A 24" x 36" (61 x 91cm) mirror will be furnished 24" x 36" (610 x 915mm) outside-of-frame to outside-of-frame.
3. To specify sizes use Series Number followed by width then height in inches. EXAMPLE: B-2906 2024.
4. Bobrick framed mirrors are manufactured to a tolerance $\pm 1/8"$ (3.2mm).
5. For sufficient space to lift mirror onto wall hanger(s), provide 3-1/4" (85mm) minimum clearance above center line of mounting screw holes.
6. Provide 1" (25mm) minimum clearance at bottom of mirror for engaging locking screws and 1" (25mm) clearance on each side.

MATERIALS:

Frame — 18-8, type-304, heavy-gauge stainless steel, 3/4" x 3/4" (19 x 19mm) angle with vertical-grain satin finish. One-piece, roll-formed construction forms continuous integral stiffener on all sides. Bevel design on front of angle holds frame tightly against mirror. Corners are welded, ground, and polished smooth. Galvanized steel back is fastened to frame with concealed screws and equipped with integral horizontal hanging brackets. Concealed Phillips-head locking screws securely fasten mirror to wall hanger(s).

Designer's Note: Type 304 stainless steel provides superior corrosion resistance, compared to 400 Series stainless steel, against environmental moisture, hose-down maintenance and strong cleaning solution.

continued . . .

Mirror — (B-2906 Series) Stretcher leveled stainless steel with reflective, highly polished strip finish. Tempered masonite backing.

(B-2908 Series) No. 1 quality, 1/4" (6mm) tempered select float glass: selected for silvering and electrolytically copper-plated by the galvanic process.

(B-2909 Series) 1/4" (6mm) thick. Two pieces of 1/8" (3mm) select float glass: selected for silvering, laminated with 0.003" (0.08mm) thick clear vinyl in the center, and electrolytically copper-plated by the galvanic process.

Note: These reflective surfaces resist breakage and provide a measure of safety from broken glass, but differ in color and reflective quality from standard glass mirrors.

All edges protected by plastic filler strips. Backs of all glass mirrors are protected by full-size, shock-absorbing, water-resistant, nonabrasive, 3/16" (5mm) thick polyethylene padding.

Concealed Wall Hanger(s) — 20-gauge (0.9mm) galvanized steel. incorporates lower support member forming rigid rectangle, which engages lower backplate louvers to keep bottom of mirror against wall.

INSTALLATION:

Mount wall hanger on wall with screws (not furnished) at points indicated by an *S*. For plaster or dry wall construction, provide concealed backing to comply with local building codes, then secure wall hanger with screws (not furnished). For other wall surfaces, provide fiber plugs or expansion shields for use with screws (not furnished), or provide 1/8" (3mm) toggle bolts or expansion bolts. Hang mirror on wall hanger. Lock mirror to wall hanger by tightening Phillips-head locking screws that are concealed in bottom of frame at points indicated by a *T*.

Snap Locking Design — Locking devices automatically secure mirror to concealed wall hanger when it is lowered into final position (see figure 3). Locking devices may be unlocked by inserting two flat blade screwdrivers behind each side of mirror near the bottom or under the bottom of the mirror and pulling mirror bottom forward and then up.

Screw locking Design — Lock mirror to wall hanger by tightening Phillips-head locking screws that are concealed in the bottom of frame at points indicated by a *T* (see figure 4). Mirror may be unlocked from wall hanger by loosening locking screws and lifting mirror off of concealed wall hanger.

**SNAP LOCKING DESIGN
(Front View)**

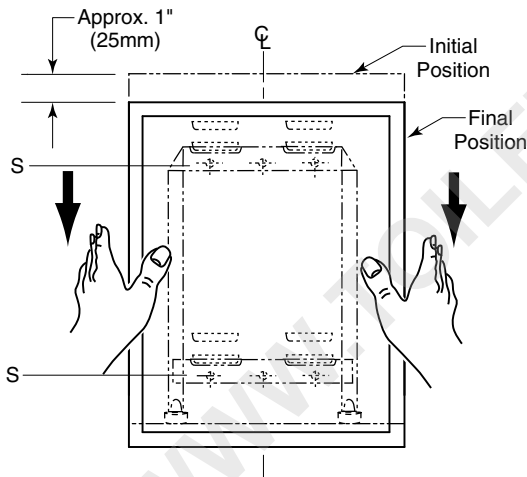


Figure: 3

**SCREW LOCKING DESIGN
(Front View)**

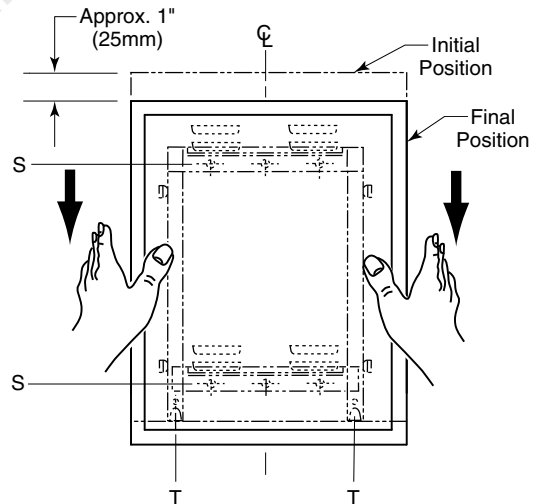


Figure: 4

SPECIFICATION:

Mirror shall have a one-piece type 304 stainless steel angle frame, 3/4" x 3/4" (19 x 19mm) with continuous integral stiffener on all sides and beveled front to hold frame tightly against mirror; corners shall be welded, ground, and polished smooth; all exposed surfaces shall have satin finish with vertical grain. Mirror shall be _____ (insert one: polished stainless steel, tempered glass, or laminated glass). All edges shall be protected by plastic filler strips. Backs of all glass mirrors shall be protected by full-size, shock-absorbing, water-resistant, nonabrasive, 3/16" (5mm) thick polyethylene padding. Galvanized steel back shall have integral horizontal hanging brackets located at top for mounting on concealed rectangular wall hanger. Mirror shall be secured to wall hanger with concealed Phillips-head locking screws located in bottom of frame.

Framed Mirror shall be Model _____ (insert model number) of Bobrick Washroom Equipment, Inc., Clifton Park, New York; Jackson, Tennessee; Los Angeles, California; Bobrick Washroom Equipment Company, Scarborough, Ontario; Bobrick Washroom Equipment Pty. Ltd., Australia; and Bobrick Washroom Equipment Limited, United Kingdom.