



# AMERICAN SPECIALTIES, INC.

441 Saw Mill River Road, Yonkers, NY 10701 (914) 476-9000

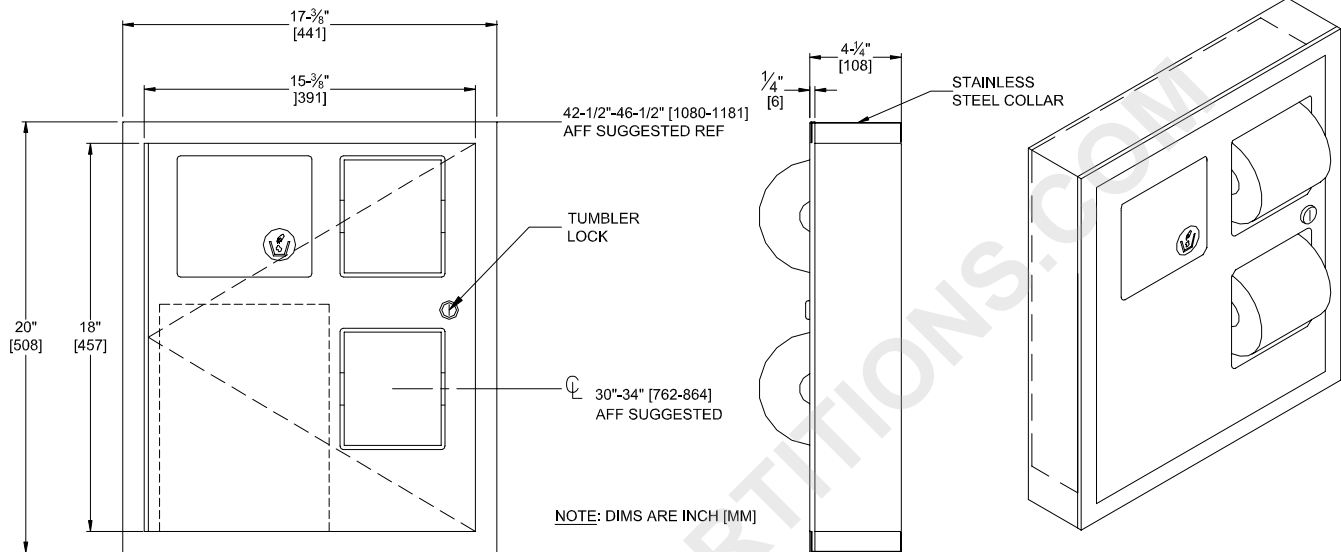
www.americanspecialties.com

MODEL No: 04833

ISSUED: 01-87

REVISED: 10-07

## SURFACE MOUNTED TOILET PAPER DISPENSER WITH SANITARY NAPKIN DISPOSAL



### SPECIFICATION

Surface Mounted Toilet Paper Dispenser with Sanitary Napkin Disposal shall hold and dispense two (2) rolls standard or 1800 sheet 4-1/2" x 5-1/4" diameter (114 x Ø133) toilet paper and shall have a waste capacity of 300 cubic inches (.005m<sup>3</sup>) or 1.3 gal (4.9 liters). Frame, cabinet, toilet paper dispensers and surface mounting collar shall be fabricated of 22 gauge type 304 stainless steel alloy 18-8. Door shall be 18 gauge. All exposed surfaces shall have N° 4 satin finish and be protected by PVC film easily removed after installation. Disposal door shall be hung on spring-tensioned hinges and shall have international graphic waste disposal symbol. Toilet paper dispenser/disposal door shall be attached to cabinet at side with a full-length 3/16" diameter (Ø5) stainless steel multi-staked piano hinge and shall be held closed with a tumbler lock keyed alike to other ASI washroom equipment. Removable, vandal-proof stainless steel waste container shall have finger grip for easy maintenance and hemmed edges for safety. Face trim shall be 1" (25) wide formed from one piece with no miters, welding or open seams and have 1/4" (6) square return to front of surface mounting collar (supplied). Structural assembly of all components shall be of welded construction. Cabinet shall include theft and vandal resistant rollers that shall be of molded high-impact resistant plastic with integral molded-in stainless steel endpins and two (2) rollers [p/n R-004] shall be supplied.

**Surface Mounted Toilet Paper Dispenser with Sanitary Napkin Disposal shall be Model N° 04833 as manufactured by American Specialties, Inc., 441 Saw Mill River Road, Yonkers, New York 10701-4913**

### INSTALLATION

Slide a stainless steel collar over the rear of cabinet and then surface mount cabinet to partition or wall using N° 10 self-tapping screws (by others) through concealed mounting holes provided.

### OPERATION

Push self-closing disposal door to deposit waste material. Toilet paper rolls feed freely until depleted and level of supply is constantly visible for low-level warning. Waste receptacle is emptied manually on cycle determined by maintenance needs. Toilet paper rolls and waste receptacle are serviced by unlocking and opening door. Locked door prevents inadvertent dumping and unauthorized removal. Waste container safety-edged finger hole provides convenient grip for service. Toilet paper spindles are carried in vandal resistant sub-frame accessible when door is opened.

Accessory Specialties

AMERICAN DISPENSER

Desert Ray Products

WATROUS INC.