



Model 2497 — Surface-Mounted with Push Lever Activation *Bradex*[®]

Product Materials

- Cover:** Constructed of high-impact plastic.
- Back:** Heavy-gauge powder-coated steel back.
- Push Lever:** fiberglass-reinforced ABS plastic.

Capacity

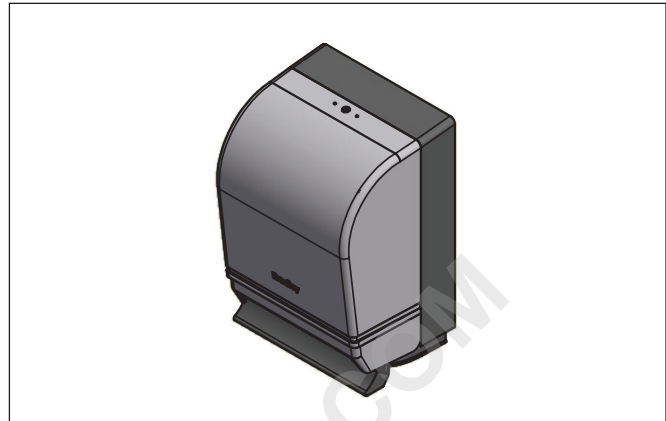
Dispenses non-perforated paper towels from 8" wide roll with core sizes from 1½"–2" diameter. Dispenser also allows for 4" diameter stub roll.

Operation

The push lever dispensing mechanism delivers 5-1/2" of toweling with each stroke and features a patented transfer system with 4" of stub roll capacity.

Installation

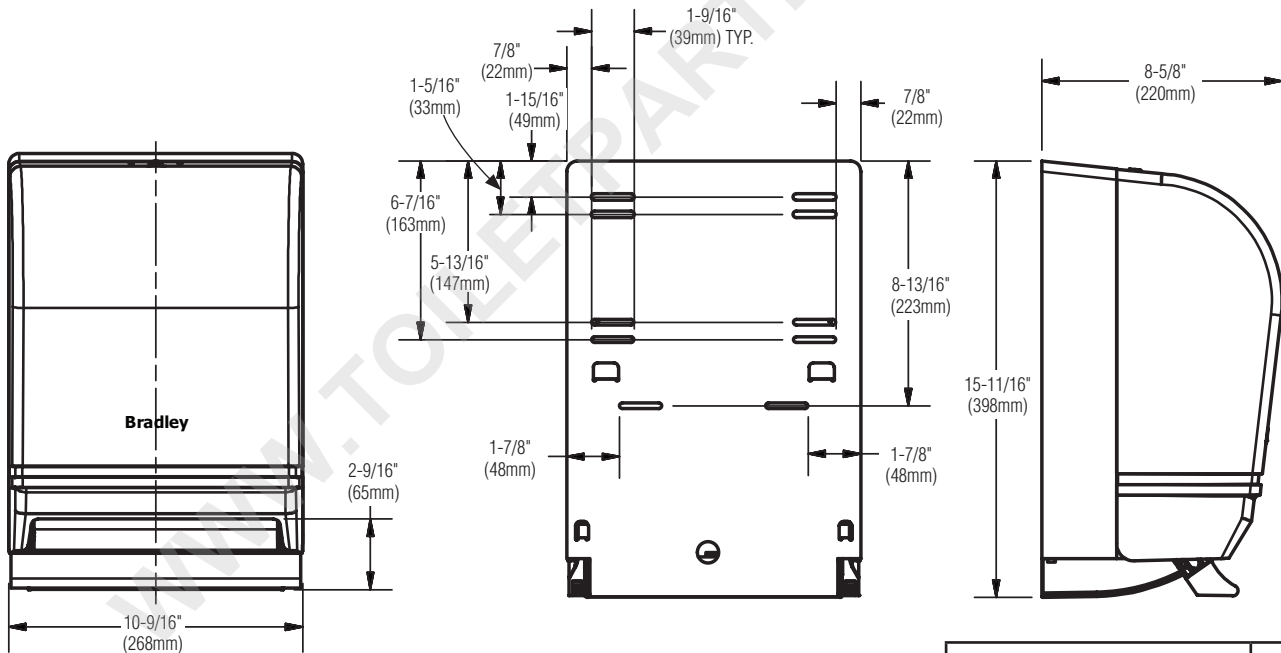
Verify all rough-in dimensions prior to installation. Secure to wall using convenient mounting slots and use appropriate mounting devices supplied by installer.



Guide Specification

The dispenser cover shall be fabricated from translucent high-impact plastic. Dispenser will dispense a 5-1/2" towel with each stroke. Dispenser will be provided with a double latch-key lock that works with standard metal keys. Dispenser shall include a transfer system which will automatically start feeding the paper web of the top roll when the lower roll is nearly depleted.

Overall dimensions: 10-9/16"W x 15-11/16"H x 8-5/8"D.



Service Parts Available	Part No.
<input type="checkbox"/> Replacement Cover (no logo)	P15-457
<input type="checkbox"/> Key	P15-451
<input type="checkbox"/> Keyless Knob	P10-741

Orders composed of products indicated as **Bradex**[®] will be available to ship in three days after receipt of order at the factory. There is no pricing penalty for this service from Bradley.