



- Model 3251 — Recessed
- Model 3251-10 — Semi-Recessed (recesses 2", projects 2")
- Model 3251-11 — Surface-Mounted (projects 4")
- Standard Series — Satin Finish
- 2.8-Gallon Capacity

### Product Materials

**FLANGE:** 22 gauge stainless steel with exposed surfaces in architectural satin finish. One-piece seamless construction, 1" wide with 1/4" return.

**CABINET:** heavy gauge stainless steel. All welded construction.

**PUSH FLAP DOOR:** 22 gauge stainless steel. Heavy-duty stainless steel piano hinge. Self-closing flap door is embossed PUSH.

**WASTE CONTAINER DOOR:** 18 gauge stainless steel. Warp resistant, with full-length piano hinge and tumbler lock keyed like other Bradley units.

**WASTE CONTAINER INSERT:** leakproof molded plastic.

### Capacity

2.8 gal. (0.37 cu. ft.)

### Operation

Waste container insert removable by unlocking cabinet door.

### Installation

Verify all rough-in dimensions prior to installation. Recessed unit requires rough wall opening 12 1/2"W x 26 1/2"H x 4"D. Secure to framing with mounting screws (included) at holes provided. Shim at screw points as required.

### Guide Specification

Recessed waste receptacle shall be fabricated of 22 gauge stainless steel with seamless exposed surfaces in satin finish. Cabinet door with piano hinge and tumbler lock. Push flap door covers receptacle opening. Removable 2.8-gal. leakproof molded plastic insert for waste receptacle.

**Overall dimensions: 14"W x 28"H x 4"D.**

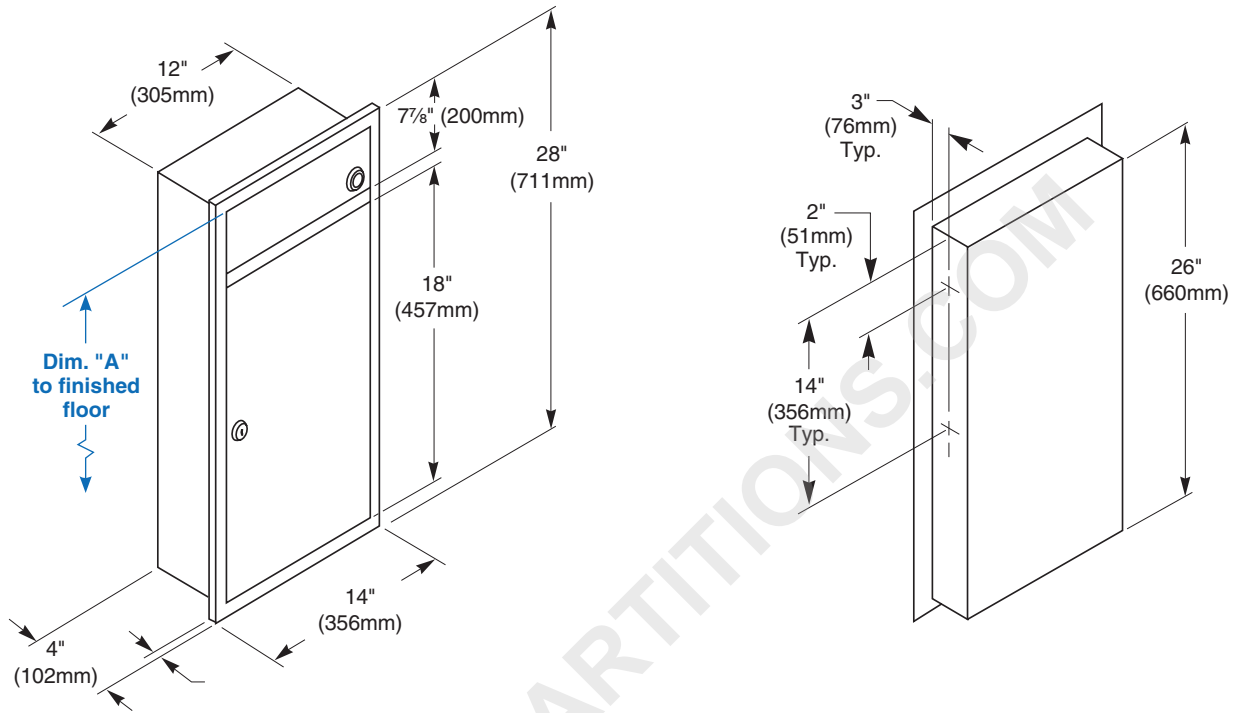
### ADA Compliant

- Consult local and national accessibility codes for proper installation guidelines.
- Conformity and compliance to local and national codes is the responsibility of the installer.





Dimensions



Dim. "A" Key Surface:	For Dim. "A"	Top of Rough Wall Opening	Bottom of Rough Wall Opening
Top of door (6 7/8" door opening) to finished floor	48" (1219mm)	48 1/4" (1226mm)	21 3/4" (552mm)
	45" (1143mm)	45 1/4" (1149mm)	18 3/4" (476mm)
	42" (1067mm)	42 1/4" (1073mm)	15 3/4" (400mm)
	40" (1016mm)	40 1/4" (1022mm)	13 3/4" (349mm)
<b>Rough wall opening:</b>			
Surface Mount:	No rough opening, see overall dimensions		
Recessed:	12 1/2" (318mm) Wide x 26 1/2" (674mm) High x 4" (102mm) Deep		
Semi-Recessed:	12 1/2" (318mm) Wide x 26 1/2" (674mm) High x 2" (51mm) Deep		