



- Model 334 — Recessed *Bradex*<sup>®</sup>**  
**(Waste container projects 8<sup>3</sup>/<sub>4</sub>" )**
- Model 334-10 — Semi-Recessed**  
**(recesses 2"; projects 10<sup>3</sup>/<sub>4</sub>" )**
- Model 334-11 — Surface-Mounted**  
**(projects 12<sup>3</sup>/<sub>4</sub>" )**
- Standard Series — Satin Finish
- 18-Gallon Capacity

### Product Materials

**FLANGE:** 22 gauge stainless steel with exposed surfaces in architectural satin finish. One piece seamless construction, 1" wide with 1/4" return.

**CABINET:** heavy gauge stainless steel. All welded construction.

**WASTE CONTAINER:** 22 gauge stainless steel. All welded construction. Secured to cabinet with tumbler lock keyed like other Bradley units.

**LINER:** (optional) heavy-duty stitched vinyl-coated nylon.

**HINGED COVER:** (optional) 22 gauge stainless steel with exposed surfaces in architectural satin finish. Heavy-duty stainless steel piano hinge.

**PUSH FLAP DOOR** (optional) fabricated of 22 gauge stainless steel with exposed surfaces in architectural satin finish. Heavy duty stainless steel piano hinge. Self-closing flap door is embossed PUSH.



### Capacity

18 gal. (2.5 cu. ft.)

### Operation

Receptacle removable for servicing by unlocking waste container.

### Installation

Verify all rough-in dimensions prior to installation. Recessed unit requires rough wall opening 15<sup>1</sup>/<sub>2</sub>"W x 29<sup>1</sup>/<sub>8</sub>"H x 4"D. Secure to framing with mounting screws (included) at holes provided. Shim at screw points as required.

### Guide Specification

Recessed waste receptacle shall be fabricated of heavy gauge stainless steel with seamless exposed surfaces in satin finish. Removable 18-gallon stainless steel waste receptacle. Heavy-duty vinyl liner is optional. Receptacle secured to cabinet with tumbler lock.

**Overall dimensions: 17<sup>1</sup>/<sub>2</sub>"W x 30<sup>3</sup>/<sub>8</sub>"H x 12<sup>3</sup>/<sub>4</sub>"D.**

### Optional Features

Feature	Suffix
<input type="checkbox"/> Hinged cover	-35
<input type="checkbox"/> Hinged cover with push flap door	-65
<input type="checkbox"/> Vinyl Liner Part #P11-001	

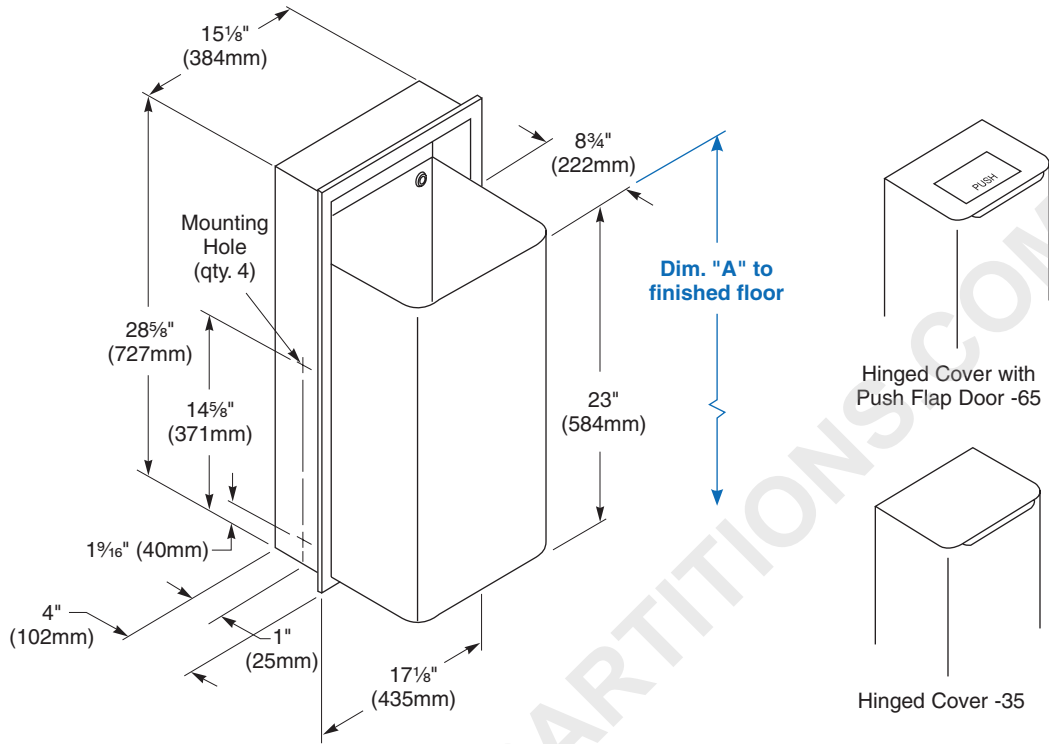
### ADA Compliant

- Consult local and national accessibility codes for proper installation guidelines.
- Conformity and compliance to local and national codes is the responsibility of the installer.

Orders composed of products indicated as *Bradex*<sup>®</sup> will be available to ship in three days after receipt of order at the factory. There is no pricing penalty for this service from Bradley.



**Dimensions**



<b>Dim. "A" Key Surface:</b>	For Dim. "A"	Top of Rough Wall Opening	Bottom of Rough Wall Opening
Waste receptacle top lip to finished floor	36" (914mm)	41 3/4" (1060mm)	12 5/8" (321mm)
	32" (813mm)	37 3/4" (959mm)	8 5/8" (219mm)
	28" (711mm)	33 3/4" (857mm)	4 5/8" (117mm)
<b>Rough wall opening:</b>			
Surface Mount:	No rough opening, see overall dimensions		
Recessed:	15 5/8" (397mm) Wide x 29 1/8" (740mm) High x 4" (102mm) Deep		
Semi-Recessed:	15 5/8" (397mm) Wide x 29 1/8" (740mm) High x 2" (51mm) Deep		

Orders composed of products indicated as **Bradex**® will be available to ship in three days after receipt of order at the factory. There is no pricing penalty for this service from Bradley.