



- Model 377 — 13-gallon Capacity
- Model 377-36 — 21-gallon Capacity
- Model 377-38 — 36-gallon Capacity

Product Materials

RECEPTACLE: heavy gauge stainless steel with exposed surfaces in architectural satin finish. Equipped with vinyl wall bumper strip and rubber feet.

TOP: heavy gauge stainless steel. Swing door is counter-balanced for easy operation. See "Additional Parts for Purchase" section below. Swing Top only parts available.

Capacity

Model 377 — 13 gal. (1.8 cu. ft.); Model 377-36 — 21 gal. (2.9 cu. ft.); Model 377-38 — 36 gal. (4.9 cu. ft.)

Operation

Top lifts off to remove liner (by others).

Installation

Verify all rough-in dimensions prior to installation. Freestanding unit requires no fasteners.

Optional Features

Feature	Suffix
<input type="checkbox"/> Less swing top	-37

Guide Specification

Freestanding waste receptacle shall be fabricated of heavy gauge stainless steel with exposed surfaces in satin finish. Swing top allows access from 2 sides. Capacity 13 gal. (21 gal., 36 gal.).

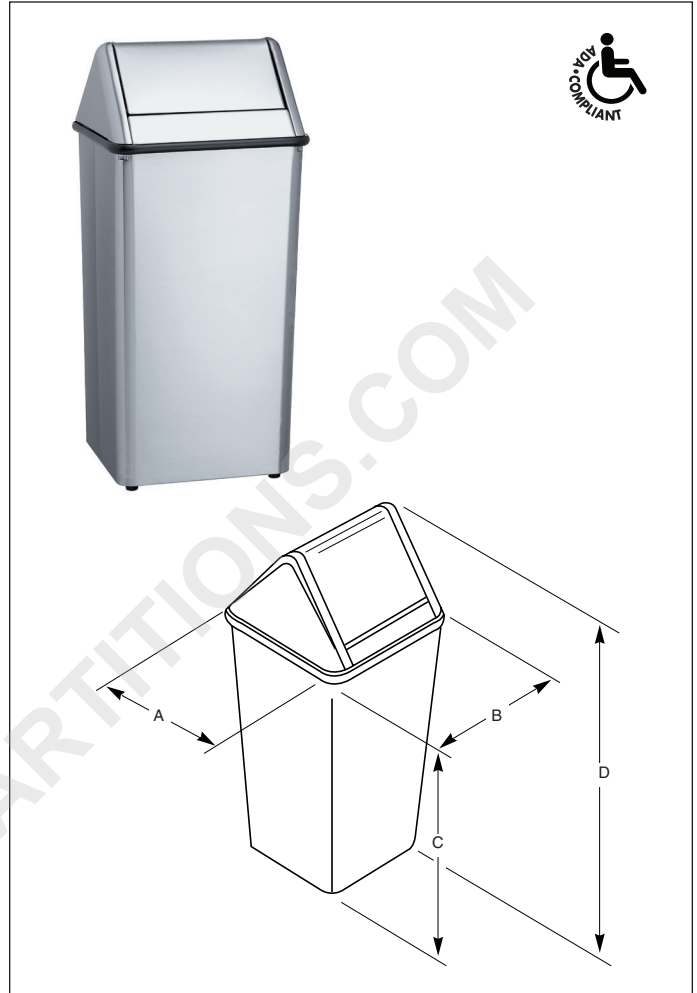
Overall dimensions: Refer to table and drawing for details.

Additional Parts for Purchase

Model (Swing Top Only)	Part No.
<input type="checkbox"/> 377-000000, 13-gallon	P15-025
<input type="checkbox"/> 377-360000, 21-gallon	P15-098
<input type="checkbox"/> 377-380000, 36-gallon	P15-195

ADA Compliant

- Consult local and national accessibility codes for proper installation guidelines.
- Conformity and compliance to local and national codes is the responsibility of the installer.



Dimensions			
Model	A & B	C	D
377	13-1/4" (336 mm)	21-1/2" (546 mm)	28" (711 mm)
377-36	14-3/4" (375 mm)	29-1/2" (749 mm)	36-1/4" (921 mm)
377-38	19" (483 mm)	29-1/2" (749 mm)	38-1/4" (972 mm)

Service Parts

Part Number	Description
P15-509	Waste Receptacle - Hooks (4) Pack