

Model 5061

- Controlled Delivery
- Single Roll

Product Materials

BACKPLATE AND ARMS: bright polished stainless steel.

SPINDLE AND LOCK MECHANISM: bright polished stainless steel.

Capacity

One standard core toilet tissue roll through 6" in diameter.

Operation

Remove tissue roll core to access special locking mechanism for servicing. Adjustable tension spring controls paper delivery.

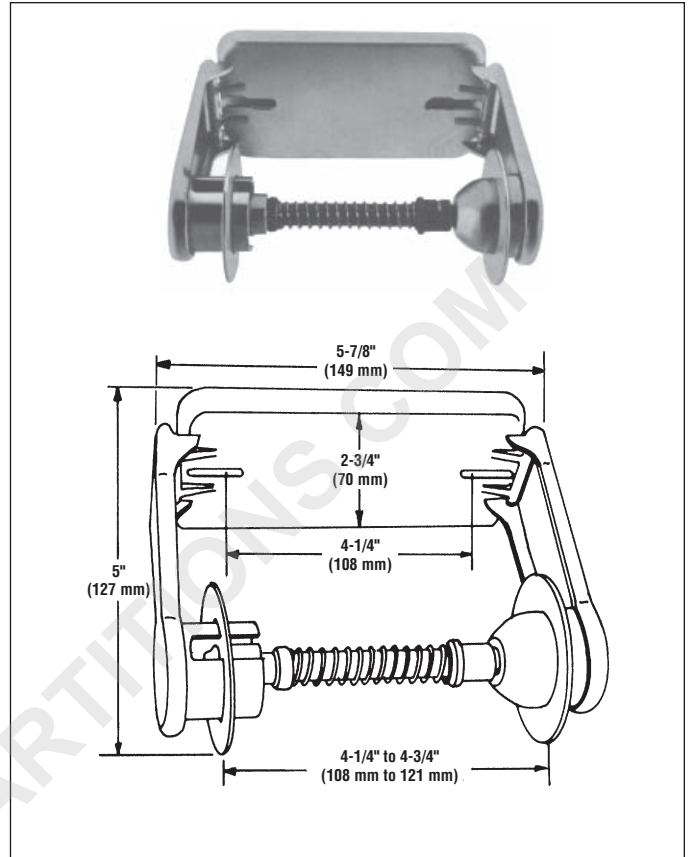
Installation

Verify all rough-in dimensions prior to installation. Secure to wall with mounting screws (not included) at holes provided.

Guide Specification

Surface-mounted toilet tissue dispenser shall be bright polished stainless steel and hold one standard core toilet tissue roll. Tension spring controls paper delivery. Unit adjustable for 4-1/4" to 4-3/4" wide tissue rolls.

Overall dimensions: 5-7/8"W x 2-3/4"H x 5"D.



Washroom Accessories
Document No. 8445

This information is subject to change without notice.

Always consult local and national codes for proper installation guidelines. Conformity and compliance to local and national codes is the responsibility of the installer.

4-1-2010

© 2010 Bradley Corporation
P.O. Box 309, Menomonee Falls, WI 53052-0309
Phone: 800.BRADLEY (800.272.3539) Fax: 262.253.4161
bradleycorp.com