



- Model 5262 — Single Roll
- Model 5263 — Double Roll **Bradex**<sup>®</sup>
- Dispenser with Shelf

### Product Materials

**SHELF:** 18 gauge stainless steel with exposed surfaces in architectural satin finish. Front and side edges are 1/2". Radius on all corners.

**TISSUE DISPENSER:** 18 gauge stainless steel with exposed surfaces in architectural satin finish. Spindle(s) of ABS plastic with concealed spring.

### Capacity

One (two) standard core 6" diameter toilet tissue roll(s).

### Operation

Spindle(s) easily removed for servicing.

### Installation

Verify all rough-in dimensions prior to installation. Secure dispenser with mounting screws (included) at holes provided.

### Optional Features

Feature	Suffix
<input type="checkbox"/> Anti-theft spindle	-52

### Guide Specification

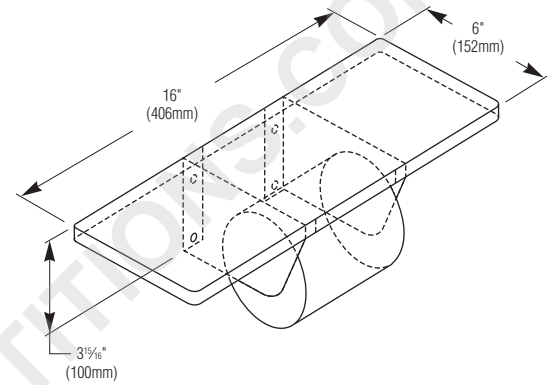
**Model 5262:** Toilet tissue dispenser with shelf shall be fabricated of 18 gauge stainless steel with exposed surfaces in architectural satin finish. Tissue dispenser to hold one standard core toilet tissue roll.

**Model 5263:** Toilet tissue dispenser with shelf shall be fabricated of 18 gauge stainless steel with exposed surfaces in architectural satin finish. Tissue dispenser to hold two standard core toilet tissue rolls.

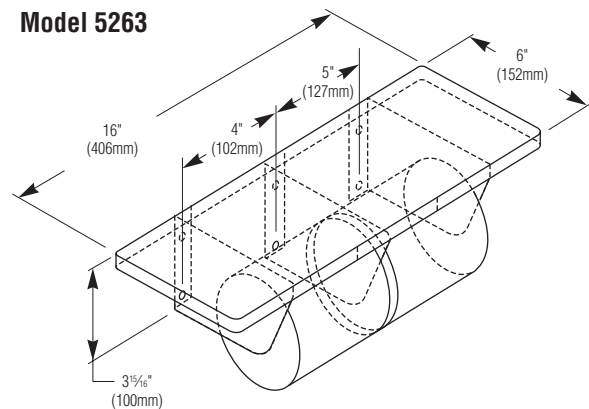
**Overall dimensions: 16"W x 3 15/16"H x 6"D.**



Model 5262



Model 5263



Orders composed of products indicated as **Bradex**<sup>®</sup> will be available to ship in three days after receipt of order at the factory. There is no pricing penalty for this service from Bradley.