



**□ Model 5921-69 — Partition-Mounted — Flush One Side for Grab Bar Installation**



- Serves Two Compartments
- Seat Cover Dispenser/Dual Roll Tissue Dispenser

**Product Materials**

**CABINET:** 22 gauge stainless steel with exposed surfaces in architectural satin finish. Welded construction with burr-free edges.

**FLANGE:** 22 gauge stainless steel with exposed surfaces in architectural satin finish. One-piece seamless construction, 1" wide with 1/4" return.

**DOOR:** 18 gauge stainless steel with full-length piano hinge and tumbler lock keyed like other Bradley units.

**SPINDLES:** polyethylene, non-removable by user.

**Capacity**

Toilet Seat Cover Dispensers — 1,000 standard single-fold or half-fold toilet seat covers; Toilet Tissue Dispensers — four standard core toilet tissue rolls through 5 1/4" in diameter.

**Operation**

Hinged access door permits servicing of components from one side.

**Installation**

Verify all rough-in dimensions prior to installation. Mounts in partition of toilet compartment for physically handicapped. One side flush against partition allows clearance for grab bar (not included) across front of unit. Requires partition opening 15 3/8"W x 28 3/8"H. (Location of hole and dimensions should be noted in partition specifications.) Flanges adjustable for partitions from 3/8" to 4" thick. Remove adjustable flange and install cabinet in partition opening. Position flange on cabinet and secure with mounting screws (included) at holes provided.

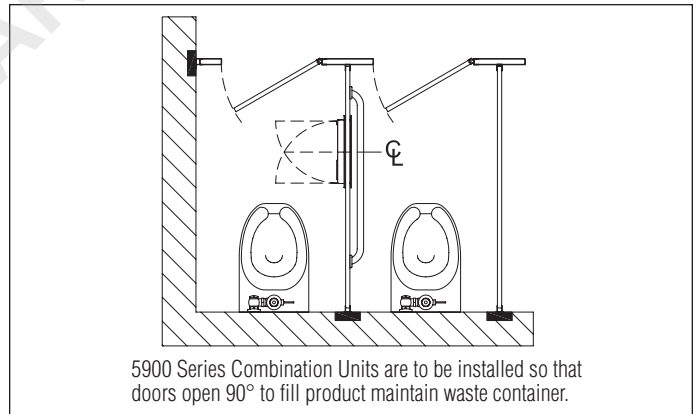
**Guide Specification**

Partition-mounted combination unit shall include toilet seat cover dispenser and toilet tissue dispenser and be fabricated of heavy gauge stainless steel with seamless exposed surfaces in satin finish. Door and back panel shall be 18 gauge. Door shall have piano hinge and tumbler lock. Fixed flange shall provide for flush mounting on one side for grab bar installation.

**Overall dimensions: 17 1/8"W x 30 3/4"H x 4 1/2"D.**



Non-Hinged Side



5900 Series Combination Units are to be installed so that doors open 90° to fill product maintain waste container.

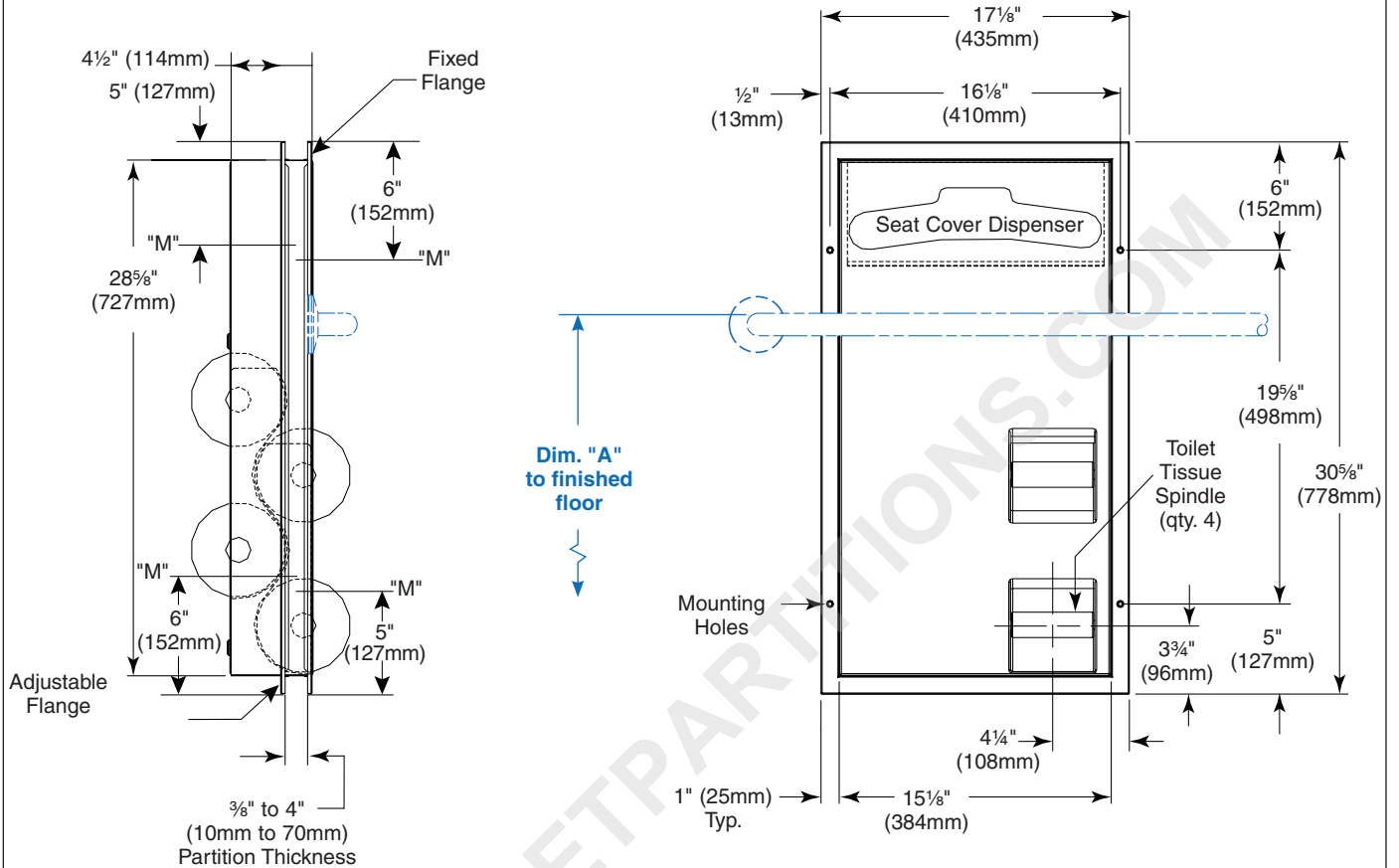
**ADA Compliant**

- Consult local and national accessibility codes for proper installation guidelines.
- Conformity and compliance to local and national codes is the responsibility of the installer.

Note: ADA requires a 1 1/2" grab bar clearance to the wall. When fully recessed, this unit protrudes 1/4" from the finished wall. A standard grab bar, when mounted over the unit, will not meet the ADA requirement of 1 1/2".



**Dimensions**



"M" indicates Mounting hole location

Grab bars must be ordered separately. To learn more about Bradley's wide variety of grab bar configurations, visit [bradleycorp.com](http://bradleycorp.com).

Dim. "A" Key Surface:	For Dim. "A"	Top of Rough Wall Opening	Bottom of Rough Wall Opening	For Seat Cover Opening Top	For Bottom Toilet Paper Opening Lower Lip @ Dim. "A"
Top of 1 1/2" grab bar to finished floor	36" (914mm)	47" (1194mm)	18 1/8" (460mm)	45 5/8" (1153mm)	17 9/16" (440mm)
	34 1/2" (876mm)	45 1/2" (1156mm)	16 5/8" (422mm)	43 7/8" (1114mm)	15 13/16" (402mm)
	33" (838mm)	44" (1118mm)	15 1/8" (384mm)	42 3/8" (1076mm)	14 9/16" (364mm)
<b>Rough wall opening:</b>					
Partition-Mount:	15 3/8" (391mm) Wide x 28 5/8" (734mm) High x Partition Thickness				