

 **Model 5951 — Recessed**

-
- Coreless Jumbo Dual Roll Tissue Dispenser/Waste Receptacle

Product Materials

CABINET: 22 gauge stainless steel with exposed surfaces in architectural satin finish. Welded construction with burr-free edges.

FLANGE: 22 gauge stainless steel with exposed surfaces in architectural satin finish. One-piece seamless construction, 1" wide with 1/4" return.

DOORS: 18 gauge stainless steel with full-length piano hinge and tumbler lock keyed like other Bradley units.

PUSH FLAP DOOR: 18 gauge stainless steel with exposed surfaces in architectural satin finish. Self-closing, with heavy-duty stainless steel piano hinge.

WASTE RECEPTACLE: leakproof molded plastic. 1.7 gal. capacity.

Capacity

Toilet Tissue Dispensers—Two coreless jumbo toilet tissue rolls 9" in diameter.

Operation

Hinged access doors permit servicing of both toilet tissue and waste from the same side.

Installation

Verify all rough-in dimensions prior to installation. Requires rough wall opening 33-3/16" W x 18-7/8" H x 6-1/4" D. Secure with mounting screws (not included) at holes provided.

Guide Specification

Recessed combination unit shall include dual jumbo coreless toilet tissue dispenser and napkin disposal, and be fabricated of stainless steel with seamless exposed surfaces in satin finish. Doors shall be 18 gauge, 304 stainless steel, with piano hinge and tumbler lock.

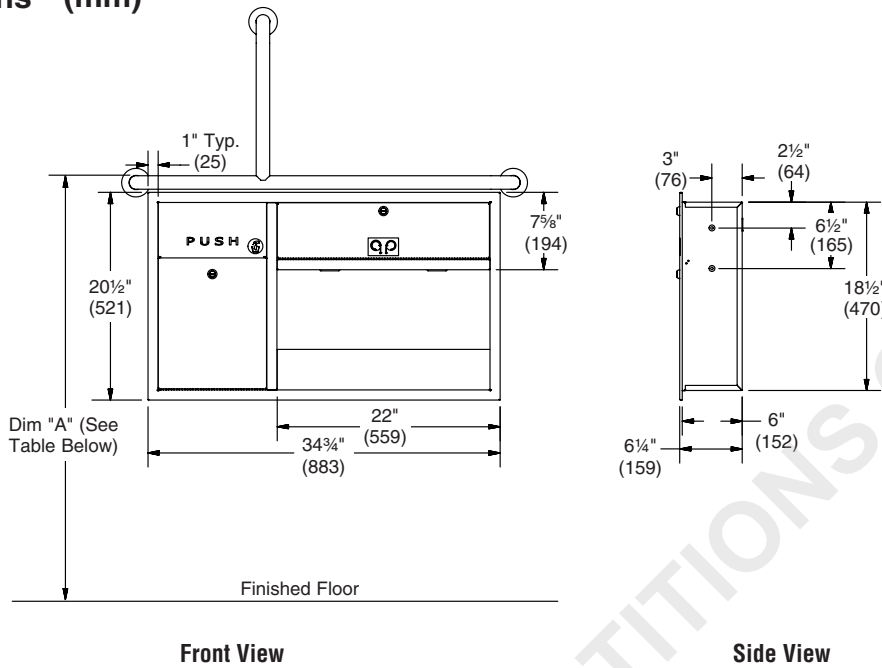
Overall dimensions: 34-3/4" W x 20-1/2" H x 6-1/4" D.

 **ADA Compliant**

- Consult local and national accessibility codes for proper installation guidelines.
- Conformity and compliance to local and national codes is the responsibility of the installer.



Dimensions (mm)



Grab bars must be ordered separately. To learn more about Bradley's wide variety of grab bar configurations, visit bradleycorp.com.

Dim. "A" Key Surface:	For Dim. "A"	Top of Rough Wall Opening	Bottom of Rough Wall Opening	For Bottom Toilet Paper Opening Lower Lip @ Dim. "A"
Top of 1 1/2" grab bar (installed with 1 1/2" clearance) to finished floor	36" (914)	33" (838)	14-1/8" (362)	22-1/2" (572)

Rough wall opening:
33" W x 18-7/8" H x 6-1/4" D