



**Surface-mounted shelf:**

- Model 755-XX (5" depth, specify length)
- Model 756-XX (6" depth, specify length)
- Model 758-XX (8" depth, specify length)

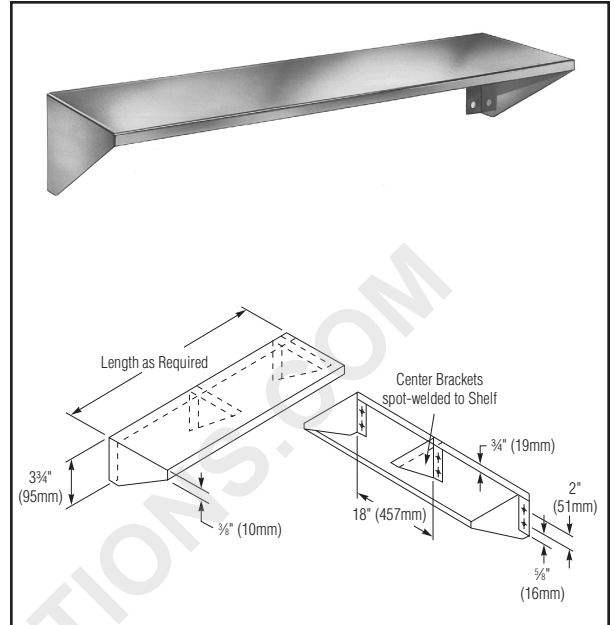
**Product Materials**

**SHELF:** 18 gauge stainless steel with exposed surfaces in architectural satin finish. End brackets are integral.

**CENTER BRACKETS:** (shelves over 24" length) 16 gauge stainless steel. Welded to shelf.

**Installation**

Verify all rough-in dimensions prior to installation. Secure to wall with mounting screws (included) at holes provided.



Length	No. of Center Brackets
6" to 24"	0
25" to 48"	1
49" to 72"	2
73" to 96"	3
97" to 112"	4

**Bradex® Models**

Depth (Inches)	Length (Inches)	Overall Dimension (Inches)	Overall Dimensions (Millimeters)	Standard Model Number
5"	12"	5 x 12	127 x 305	755-12
5"	18"	5 x 18	127 x 457	755-18
8"	24"	8 x 24	203 x 610	758-24

**Guide Specification**

Surface-mounted shelf shall be fabricated of 18 gauge stainless steel with exposed surfaces in satin finish and integral end brackets. Shelves over 24" long shall have 16 gauge intermediate support brackets of matching stainless steel.

**Surface-Mounted Shelf shall be Bradley Model 755, 756, 758-\_\_\_\_\_ " (specify length).**

Orders composed of products indicated as **Bradex®** will be available to ship in three days after receipt of order at the factory. There is no pricing penalty for this service from Bradley.