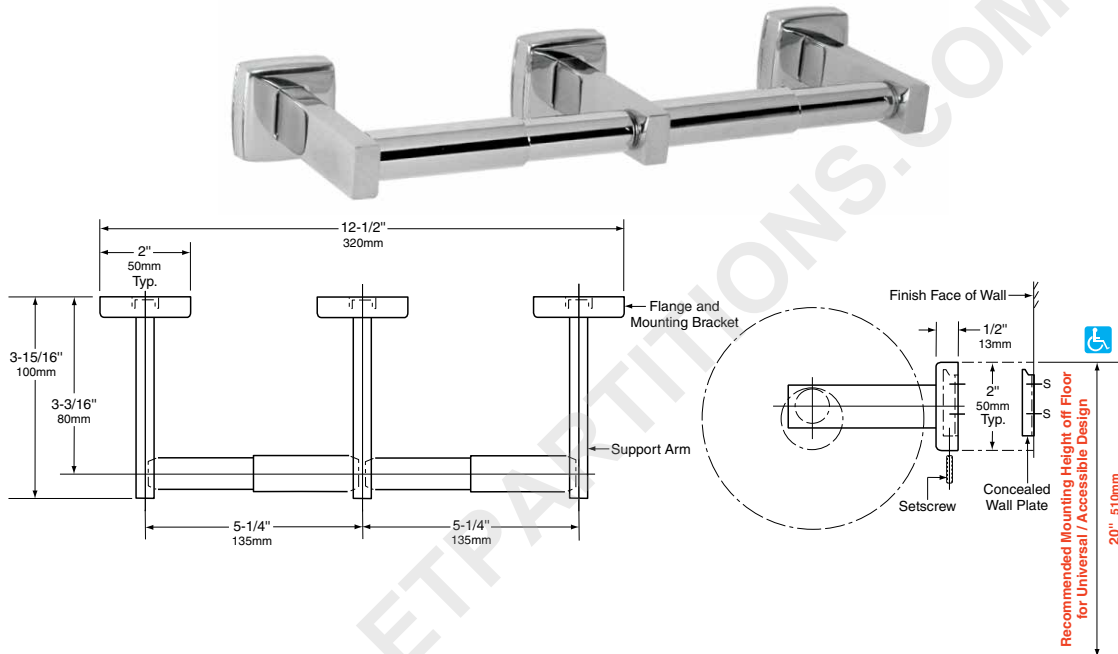


Specify Model Required: Model 7686 Bright polished stainless steel
 Model 76867 Satin-finish stainless steel



MATERIAL:

Flanges & Support Arms (3) — 18-8, type-304, 22-gauge (0.8mm) stainless steel. Each flange has a concealed, 18-gauge (1.2mm) stainless steel mounting bracket. All-welded construction. Secured to wall plate with a stainless steel setscrew.

Concealed Wall Plates (3) — 18-8, type-304, 19-gauge (1.0mm) stainless steel.

Spindles (2) — Chrome-plated plastic. Equipped with heavy-duty internal spring.

INSTALLATION:

Surface mount unit on wall using No 10 self tapping screws (by others) through holes provided in mounting plates into suitable prepared mountings (by others) or other suitable mounting hardware (by others) to suit wall conditions. Hang post and flange assemblies on mounting plates and tighten setscrews to lock units to plates. For compliance with ICC/ANSI A-117.1-2003 and ADA Accessibility Guidelines, install unit with centerline of roller at 19" (483mm) minimum above finished floor (MIN AFF) to 44" (1118mm) maximum AFF (MAX AFF) and centerline of dispenser no farther than 33" (838mm) from back wall behind commode or between 7" and 9" (178mm to 229mm) from front of commode. Recommended mounting height for general utility is 30" (762mm) AFF to centerline of roll and 14" (356mm) from front of commode to centerline of dispenser.

SPECIFICATION:

Double-roll toilet tissue dispenser shall be type-304 stainless steel with _____ (insert one: bright polished or satin) finish. Unit shall accommodate two standard-core toilet paper rolls up to 5-1/2" (140mm) diameter (1800 sheets). Flanges and support arms shall be 22 gauge (0.8mm) and equipped with concealed, 18-gauge (1.2mm) mounting brackets that are secured to concealed, 19-gauge (1.0mm) wall plates with stainless steel setscrews. *Spindles shall be equipped with heavy-duty internal springs.

Double-Roll Toilet Tissue Dispenser shall be Model _____ (insert model number) of Gamco Commercial Restroom Accessories, One Gamco Place, Durant, OK, 74701-1910