

- Model 510 — Chrome-Plated Brass**
- Model 5102 — Heavy Gauge Stainless Steel, Bright Finish**
- Model 5104 — Heavy Gauge Stainless Steel, Satin Finish**
- Recessed
- Non-Controlled Delivery
- Single Roll

Product Materials

HOUSING: see check boxes and model descriptions above.

BRACKETS: see check boxes and model descriptions above.

SPINDLE: chrome-plated plastic.

Capacity

One standard core toilet tissue roll through 5" in diameter.

Operation

Concealed spring permits spindle to telescope for servicing. Spindle turns freely for non-controlled delivery.

Installation

Verify all rough-in dimensions prior to installation. Requires rough wall opening per chart on right column. Secure to framing with mounting screws (included) at holes provided.

Optional Features

Feature	Suffix
<input type="checkbox"/> Anti-theft spindle (available on 5102 only)	-52
<input type="checkbox"/> Back clamp for gypsum wallboard mounting	-55
<input type="checkbox"/> Domestic (available on 5102 and 5104 only)	-US

ADA Compliant

- Consult local and national accessibility codes for proper installation guidelines.
- Conformity and compliance to local and national codes is the responsibility of the installer.



Guide Specification

Model 510: Recessed single roll tissue dispenser shall be chrome-plated brass with projecting brackets of chrome-plated die cast zinc alloy and hold one standard core toilet tissue roll.

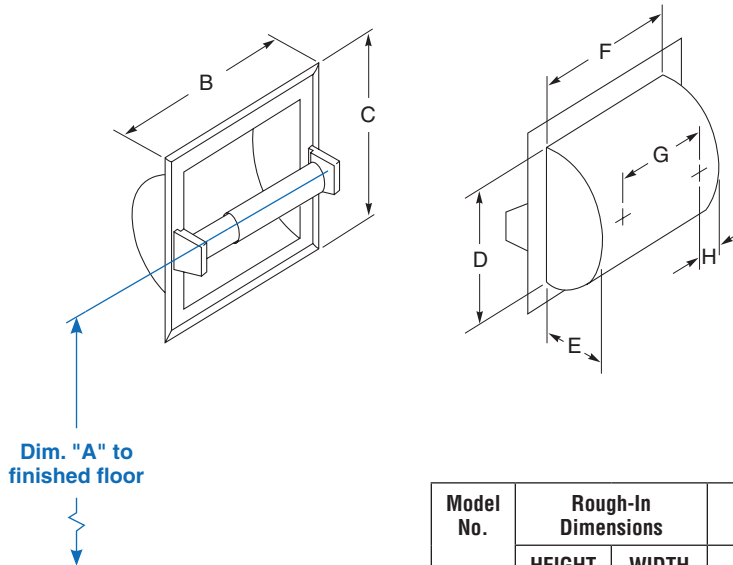
Model 5102: Recessed single roll tissue dispenser shall be heavy gauge stainless steel with a bright finish. Projecting brackets shall be heavy gauge stainless steel and hold one standard core toilet tissue roll.

Model 5104: Recessed single roll tissue dispenser shall be heavy gauge stainless steel with a satin finish. Projecting brackets shall be heavy gauge stainless steel and hold one standard core toilet tissue roll.

Washroom Accessories
Document No. 8465

Dimensions

Dimensions on US models may differ slightly from standard models, however this will not affect installation.



Model No.	Rough-In Dimensions		Unit Dimensions - inches (mm)						
	HEIGHT	WIDTH	B	C	D	E	F	G	H
510	5¼"	5¼"	6 ³ / ₁₆ " (157)	6 ³ / ₁₆ " (157)	5" (127)	1¾" (44)	5" (127)	2 ⁷ / ₈ " (73)	1" (25)
5102	5¼"	5¼"	6 ³ / ₈ " (162)	6 ³ / ₈ " (162)	5" (127)	2" (51)	5" (127)	3¾" (95)	5 ⁸ / ₁₆ " (16)
5104	5¼"	5¼"	6 ³ / ₈ " (162)	6 ³ / ₈ " (162)	5" (127)	2" (51)	5" (127)	3¾" (95)	5 ⁸ / ₁₆ " (16)

Dim. "A" Key Surface:	For Dim. "A"	Top of Rough Wall Opening	Bottom of Rough Wall Opening
Centerline of spindle to finished floor (bottom edge of paper roll 3" below centerline of spindle)	23" (584mm)	25½" (648mm)	20¼" (514mm)
	22" (559mm)	24½" (622mm)	19¼" (489mm)
	21" (533mm)	23½" (597mm)	18¼" (464mm)
	20" (508mm)	22½" (572mm)	17¼" (438mm)
	19" (483mm)	21½" (546mm)	16¼" (413mm)
	18" (457mm)	20½" (521mm)	15¼" (387mm)
Rough wall opening:			
Recessed: 5¼" (134mm) Wide x 5¼" (134mm) High x 2" (51mm) Deep			

Washroom Accessories
Document No. 8465