

Specify Model Required:

- DR-5120 Dryer with White Epoxy Painted Cover
- DR-5128 Dryer with Stainless Steel Cover

Note: Dryer is universal voltage - accepts 110-120/208/220-240 VAC input

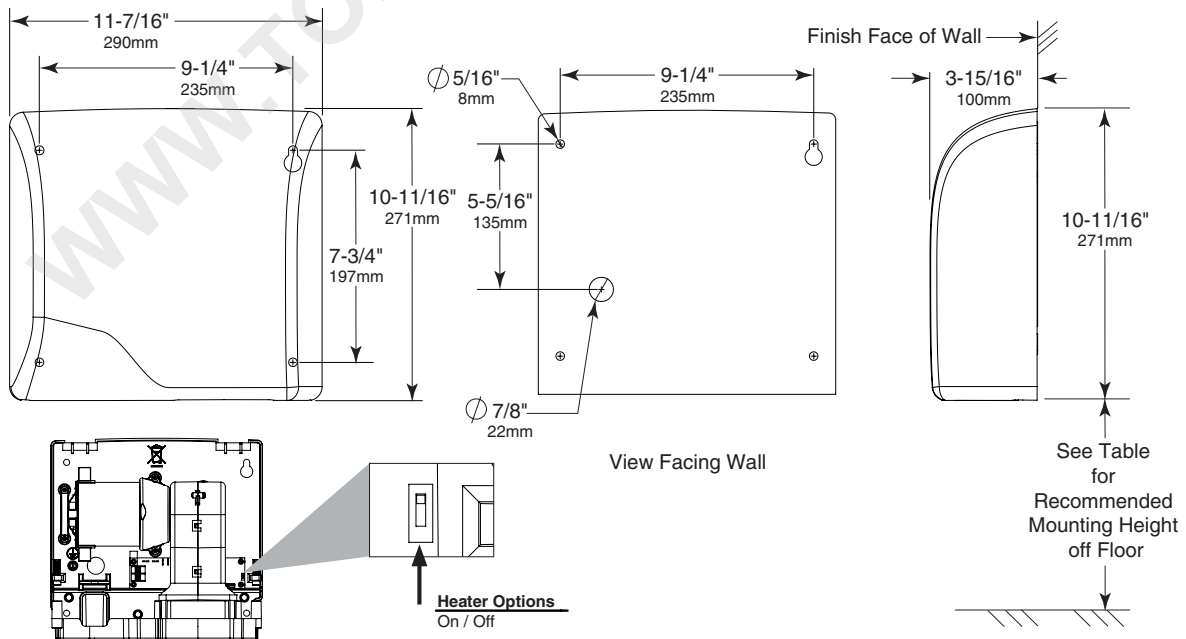


Electrical Specifications			
Voltage	110-120V	208V	220-240V
AMPS	8-3	3-7	4.1
Watts	950	775	950
Hz	60	60	60

***RECOMMENDED MOUNTING HEIGHTS**

Children's Washrooms, ages 3-4	36" (915mm)
Children's Washrooms, ages 5-8	40" (1015mm)
Children's Washrooms, ages 9-12	44" (1120mm)
Universal Design	48" (1219mm)

*Bottom screw hole of mounting base to finish face of floor



continued . . .

MATERIALS:

Cover — Cover constructed of either stainless with brushed finish (DR-5128) or one piece aluminum housing with high-gloss white epoxy paint that is incorporated with SteriTouch® antimicrobial additive (DR-5120).

Mounting Base — Equipped with four mounting holes and one 7/8" (22mm) diameter hole suitable for between-wall wiring. Equipped with four 4 mounting bolts. Cover shall be attached to the wall mounting plate with tamper-proof screws.

Motor/Fan — Thermally-protected, Universal, brush type motor operating at 13000 rpm and delivering 70 cfm air flow at a velocity of 140 MPH (12320 lfm). Dryer incorporates universal controls accepting 115/208/230VAC input.

Heating Element — Dryer will incorporate chrome wire heating element protected by an automatic resetting thermal cutoff. Control board shall contain a heater control switch which can be controlled in either ON or OFF position. Dryer shall provide 48° F temperature rise.

Electronic Control — Dryer shall be activated by an automatic infrared sensor with a 3 second run-on time and 60 second vandal shut-off. Infrared sensor automatically turns dryer on when hands are held under air-outlet opening and across path of sensor. Remove hands from path of sensor and dryer stops. Electronic sensor has automatic shutoff after approximately 1 minute after dryer turns on. If an inanimate object is placed across air-outlet opening dryer will shut off in approximately 60 seconds. After inanimate object is removed, electronic sensor automatically resets itself and dryer operates normally.

OPERATION:

No-touch operation: Electronic sensor automatically turns dryer on when hands are held under air outlet opening and across path of sensor. Remove hands from path of sensor and dryer stops. Dryer operates only when actually drying hands, which saves energy and operating costs. Electronic sensor will automatically shut dryer off 3 seconds after hands are removed. If an inanimate object, such as tape or chewing gum, is placed across air-outlet opening dryer will shut off 60 seconds after inanimate object is removed. After inanimate object is removed, electronic sensor automatically resets itself and dryer operates normally.

10-Year Limited Warranty — Gamco extends a limited 10 year warranty from the date of purchase for DR-5120 and DR-5128 hand dryers on all parts, except motor brushes, motor, and sensor to the original owner of the installed unit against defects in factory workmanship or material under normal use and service. Motor and sensor are warranted for 5 years from the date of purchase. This warranty is limited to the repair or exchange of defective parts at the option of Gamco.

SPECIFICATION:

Gamco warm air hand dryer is a surface-mounted ADA (American Disabilities Act) compliant dryer powered by a universal brush motor, and delivers up to 1000 watts of drying power. The dryer incorporates an integrated heating element with options for operation with, or without, heated air. An infrared sensor is used to automatically activate the dryer. These models are intended for use in commercial, industrial, office and public facility environments.

Surface-mounted ADA (American Disabilities Act) compliant hand dryer shall have either die-cast aluminum finished with white epoxy paint (DR-5120) or stainless steel with brushed finish (DR-5128). Epoxy painted covers shall incorporate SteriTouch® antimicrobial technology. The wall mounting plate shall be constructed of die-cast aluminum and the nozzle shall be constructed of die-cast aluminum finished with epoxy paint finish. The cover will be attached to the wall mounting plate with tamper-proof screws. Motor shall be thermally-protected universal brush type motor operating at 13000 rpm and delivering 70 cfm air flow at a velocity of 140 MPH (12320 lfm). Dryer controller will automatically energize the dryer when hands are detected in the infrared sensing zone. The dryer will either automatically turn off immediately after hands are removed, or after 30 seconds of continuous usage. The controller will automatically reset after any obstructions are removed. The unit will be cETLus approved. Unit shall comply with EU Directive "Restriction of Hazardous Substances" (RoHS) requirements for non-use of certain hazardous substances in the production of electronic products. Unit shall be protected by a limited 10 year warranty on all parts except motor brushes, motor, and sensor from date of purchase.

Surface-Mounted Hand Dryer shall be Model DR-5120 or DR-5128 of Gamco Commercial Restroom Accessories, One Gamco Place, Durant, OK, 74701-1910