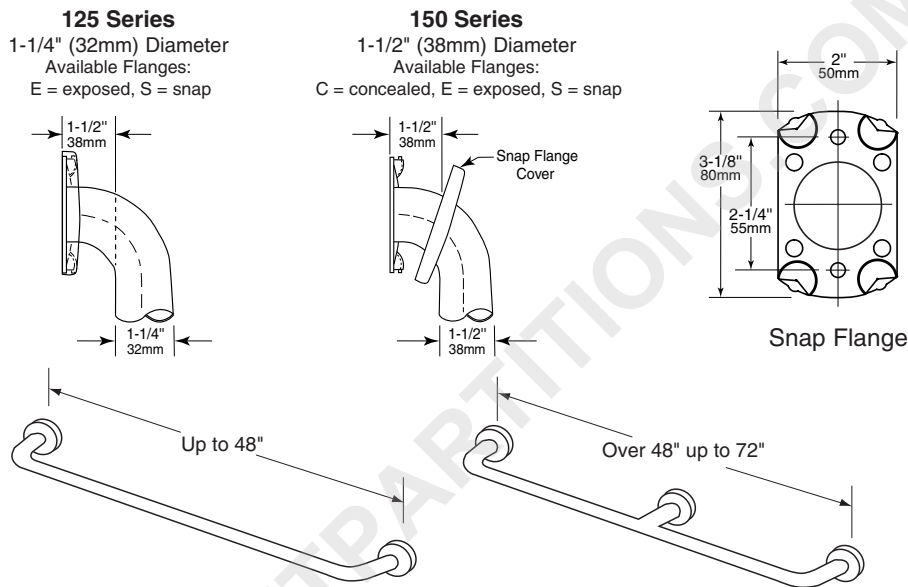


OPTIONS:

- C for concealed flange
 - S for snap flange
 - E for exposed flange
 - T for non-slip safety-textured grip
- Custom sizes available



NOTE: Grab Bars over 48" in length require a centerpost.

MATERIALS:

Tubing - Fabricated of type 304 stainless steel. Exposed surfaces polished to a #4 satin-finish.

Concealed Flange - 1/2" (13mm) deep, type 304 stainless steel, 3" (76mm) in diameter furnished with 3 stainless steel set screws and one back plate. Flanges and center posts are welded to tubing.

Snap Flange - Mounting plate is type 304 stainless steel, 3" (76mm) in diameter and welded to bar. Snap flange cover plate escutcheon, which is decorative only, is type 304 stainless Steel. Mounting plates and center posts are welded to tubing.

Exposed Flange - Type 304 stainless steel, 3" (76mm) in diameter with 3 countersunk mounting holes. Flanges and center posts are welded to tubing.

MOUNTING:

Clearance is distance between finished wall surface and inner edge of tubing. Standard clearance furnished is 1-1/2" (38mm). Required mounting height is 33" to 36" (838 to 914mm) from top of grab bar gripping surface to finish floor. 36" (914mm) horizontal grab bar should be installed on back wall and 42" (1067mm) horizontal grab bar installed on side wall or partition stall. Screws (not furnished).

Safety Warning: Grab bars are no stronger than the anchors and walls to which they are attached and, therefore, must be firmly secured in order to support the loads for which they are intended.

To avoid potential injury, the building owner or maintenance personnel should remove the grab bar from service if the grab bar is not adequately secured to wall or if there is any observed damage to the weld.

SPECIFICATIONS:

Grab bars have been designed and tested to withstand a downward pull when properly installed that exceeds HUD, HEW, FHA, VA, and other Federal, State, and local codes, including the Americans with Disabilities Act (ADA). Dimensions are measured from center-line to center-line of tubing, unless noted on grab bar application by circle dimensions which are from center-line of tubing to wall.

NOTES:

Custom made grab bars are available upon request. Custom made indoor or outdoor railing systems up to 1-1/4" to 1-1/2" (32 to 38mm) diameter are also available.

Straight Grab Bar shall be Model _____ (insert model number) of GAMCO Commercial Restroom Accessories, One Gamco Place, Durant, OK, 74701-1910