



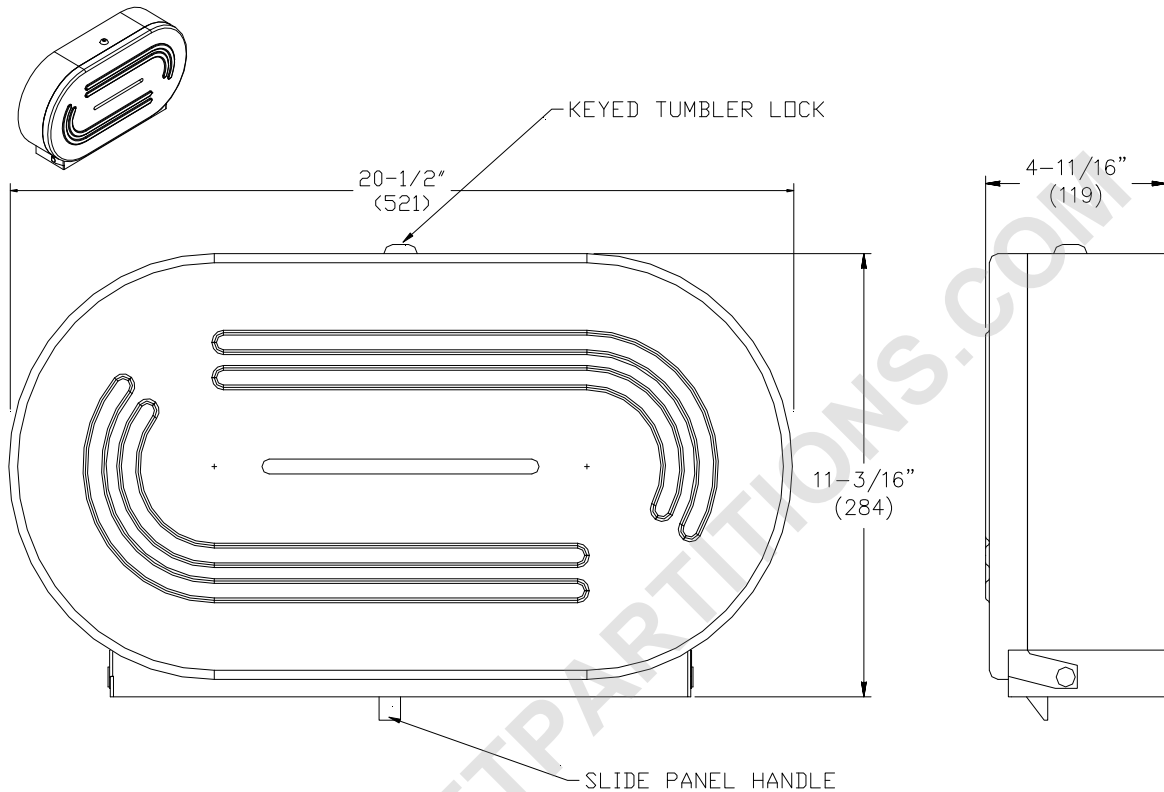
**AMERICAN SPECIALTIES, INC.**  
441 Saw Mill River Road, NY 10701  
(914) 476.9000 • (914) 476.0688  
www.americanspecialties.com

**MODEL №: 0039**

**ISSUED: 03/12**

**REVISED: 09 APR 2012**

## LOW PROFILE SURFACE MOUNTED JUMBO-ROLL TOILET TISSUE DISPENSER



### SPECIFICATION

Low Profile Surface Mounted Jumbo-Roll Toilet Tissue Dispenser shall hold two (2) 9" diameter (Ø229) rolls of 3" diameter (Ø76) or 2-1/4" diameter (Ø57) core tissue. Unit cabinet, door and mounting plate shall be 18 gauge type 304 stainless steel alloy 18-8 with a satin finish and shall be protected during shipment with PVC film easily removable after installation. Door shall be of drawn one piece seamless construction with integral rigidizing ribs and shall be provided with tissue level viewing slot. Door shall be hung on heavy-duty stainless steel pivot hinges and shall be held closed by a tumbler lock keyed to other ASI washroom equipment. Dispensing mechanism shall be fabricated of high impact chemical and flame retardant ABS. Unit shall accommodate smaller core size rolls by removing the core adapters. When one roll is depleted, other roll shall be selected by shifting over panel lever at bottom of unit. Unit shall automatically reset to first roll during maintenance access. Structural assembly of all stainless steel components shall be of welded construction. Cabinet shall have no exposed fastening devices or spot-welded seams.

**Low Profile Surface Mounted Jumbo-Roll Toilet Tissue Dispenser shall be Model № 0039 as manufactured by American Specialties, Inc., 441 Saw Mill River Road, Yonkers, NY 10701-4913**

### INSTALLATION

Surface mount unit for general utility within 12" (305) of front of toilet from centerline and 31" (787) above finished floor (AFF) from bottom of unit with five (5) screws (by others) through mounting holes provided. Install unit for compliance with 2010 ADA Accessibility Standards so that centerline of nearest roll is no farther than 7"~9" (178~229) from front of commode and centerline of rolls is 19" (483) minimum AFF to 44" (1118) max AFF.

### OPERATION

Two (2) 9" (Ø229) OD jumbo rolls of toilet tissue are mounted over 3" (Ø76) ID core adapters. Two (2) 2-1/4" (Ø57) ID core rolls may be used by removing the core adapters. Whenever one roll of toilet tissue is depleted, the other roll is selected by shifting over the lever at the bottom of the unit. Viewing slot continuously reveals tissue level. Key and locked door prevents unauthorized access or removal. Tissue supply is replenished on a cycle determined by maintenance needs.