



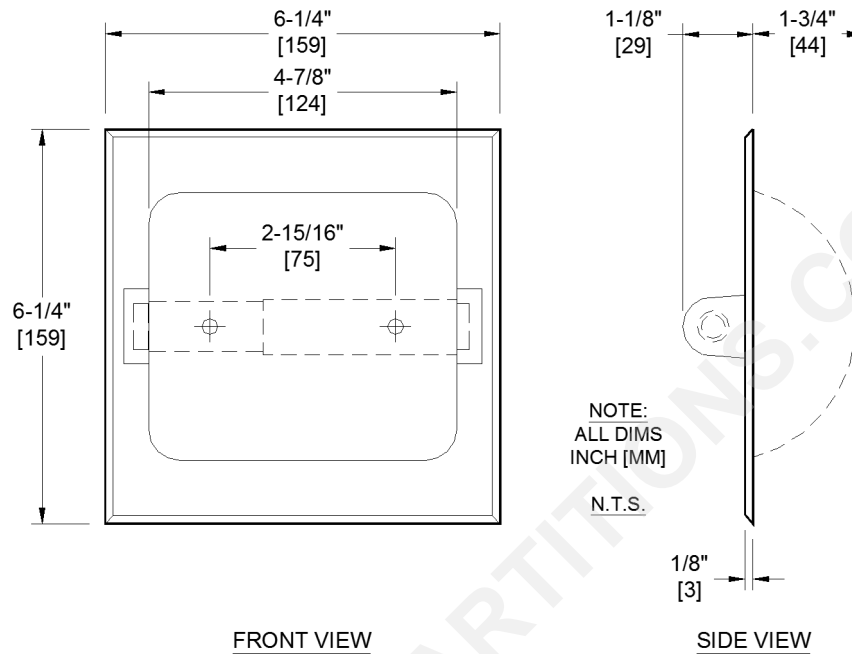
AMERICAN SPECIALTIES, INC.
 441 Saw Mill River Road, Yonkers, NY 10701
 (914) 476.9000 • (914) 476.0688
 www.americanspecialties.com

MODEL №: 0402-Z

ISSUED: 01/87

REVISED: 26 JAN 2017

RECESSED TOILET PAPER HOLDER



SPECIFICATION

Recessed Toilet Paper Holder shall hold and dispense all standard core roll tissue up to 5" diameter [Ø127] roll and shall be die-cast of Zamac in seamless one piece construction. Back shall have two (2) perforated lugs for wet wall anchoring and two (2) dimpled holes for dry wall installation. Dry wall clamp will be supplied for dry wall installation. A plastic, spring-loaded, removable roller held between two (2) solid bars shall hold paper roll. All exposed surfaces shall be triple plated with copper, nickel and chrome to a mirror finish.

Recessed Toilet Paper Holder shall be Model № 0402-__Z {specify 'D' for Dry Wall installation or 'W' for Wet Wall installation} of American Specialties, Inc. 441 Saw Mill River Road Yonkers, New York 10701-4913

INSTALLATION

For Wet Wall Recessed Mounting: Apply grout to back of unit and on perforated lugs and push unit into opening to seat flange flush with wall face. Allow unit to set and grout to cure before use.

For Standard Dry Wall Recessed Mounting

Use two (2) № 10 stainless steel Philips flat or oval head self tapping or wood screws (by others) of suitable length to penetrate blocking in back of rough wall opening (RWO) by approximately 1/2" [13]. Apply a continuous bead of silicone sealant (by others) behind flange. Tighten screws to hold flange tight against finished wall face. Wipe off excess sealant immediately.

Optional Method for Dry Wall Recessed Mounting

Loosely attach dry wall clamp (supplied with model № 0402-DZ) to the back of the unit with two (2) stainless steel Philips flat or oval head № 10B (or 10AB or 10BP) self tapping screws (provided by others to suit wall conditions) through dimpled holes at back of shell. Apply a continuous bead of silicone sealant (by others) behind flange. Insert into RWO and adjust clamp so that it grips inside wall surface through opening. Secure accessory to clamp and wall by tightening screws. Wipe off excess sealant immediately.

For compliance with 2010 ADA Accessibility Standards, unit should be installed with centerline of roller 19" [483] min above finished floor (AFF) to 42" [1067] max AFF and 7" [178] min to 9" [229] max from front of commode to centerline of dispenser.

RWO required is..... 5-1/4" W x 5-1/4" H x 2" D [133 x 133 x 51]

OPERATION

Spring-loaded spindle revolves freely and holds roll until core is removed. Roll revolves freely on spindle. Roll is replaced manually on a schedule determined by maintenance needs.